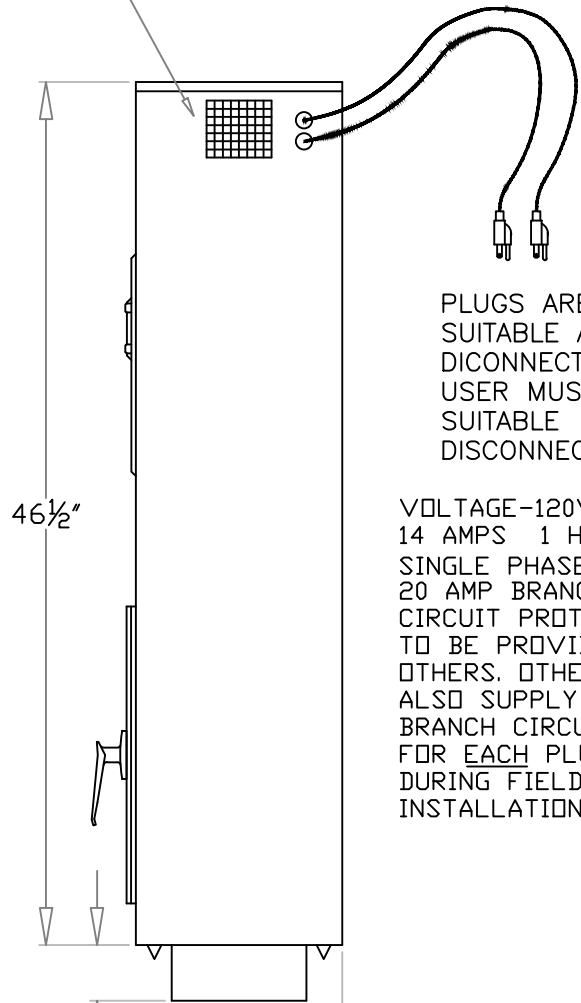
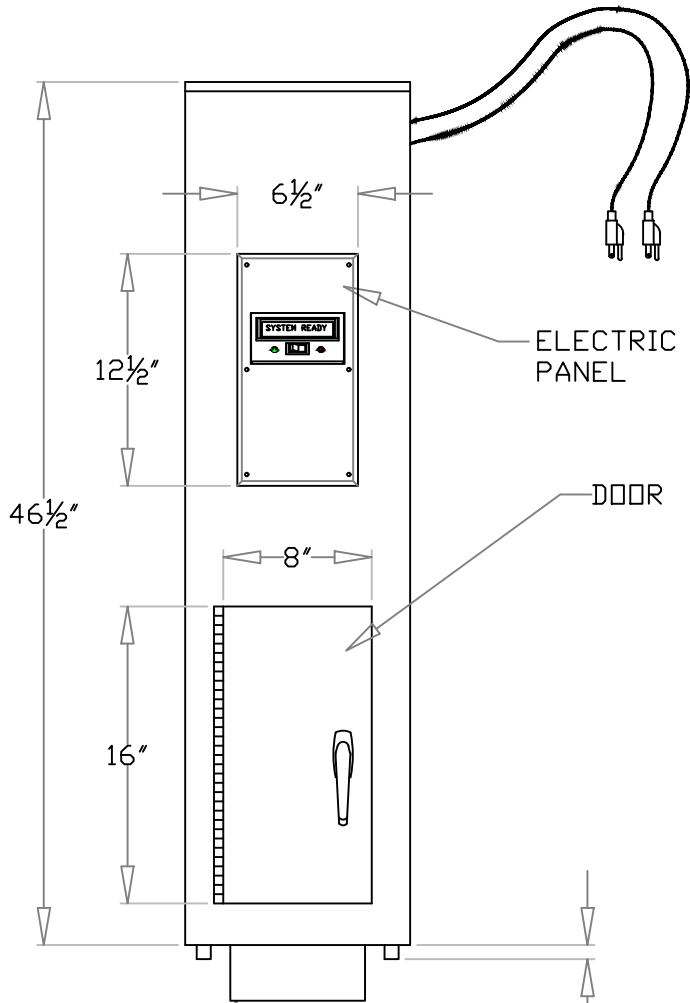
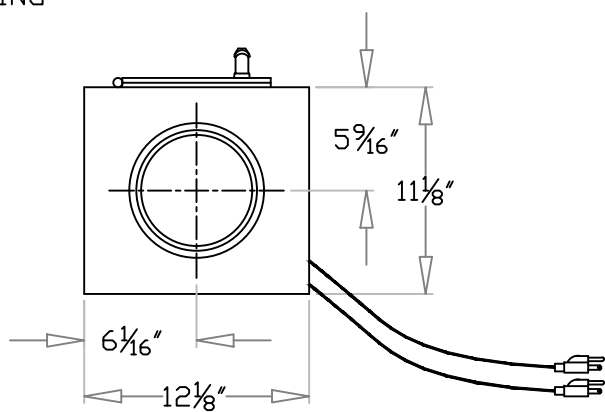


VENT HOLES
(BOTH SIDES)



PLUGS ARE NOT SUITABLE AS DICONNECTS USER MUST SUPPLY SUITABLE DISCONNECTS.

VOLTAGE-120VAC
14 AMPS 1 HP
SINGLE PHASE 50/60 Hz.
20 AMP BRANCH
CIRCUIT PROTECTION
TO BE PROVIDED BY
OTHERS. OTHERS MUST
ALSO SUPPLY A 20 AMP.
BRANCH CIRCUIT
FOR EACH PLUG.
DURING FIELD
INSTALLATION



J:\AutoCAD\CAD 2016\SYS-SYSTEMS-152 01 DS STATION.dwg, 12/09/2016 10:37:15 AM

TOLERANCES ±1/32" FRACTIONAL DIMENSIONS
TOLERANCES ±.005" DECIMAL DIMENSIONS
UNLESS OTHERWISE SPECIFIED

INFORMATION CONTAINED HEREIN IS
PROPRIETARY TO EAGLE PNEUMATIC, INC.
ALL RIGHTS RESERVED

TITLE:
6 INCH TYPE I STATION
DOWN SEND

MATERIAL:

FINISH:

REV.
1-08/31/98
2-10/20/98
3-03/13/03
4-08/13/03

DRAWN: JAC
CADFILE\ A28

DATE: 10/17/89



EAGLE
PNEUMATIC, INC.
(863)644-4870

DRAWING NO.
S-152

APPROVED:

ISSUE
4