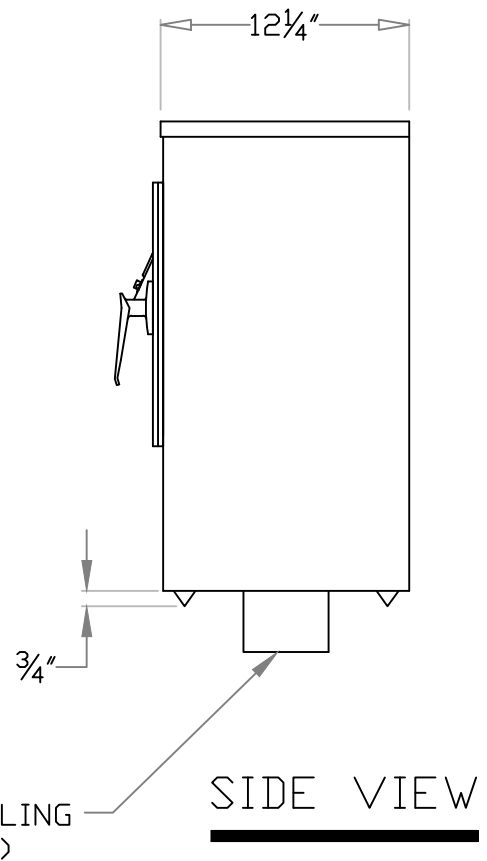
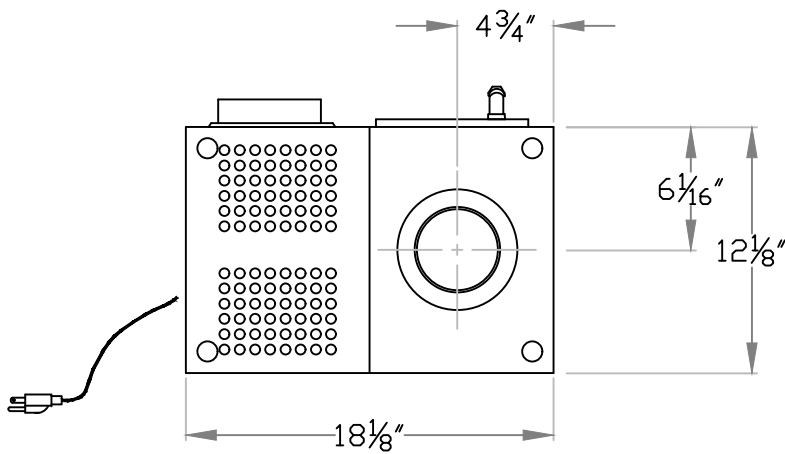


**FRONT VIEW**



**SIDE VIEW**

NOTE: PLUG IS NOT SUITABLE A DISCONNECT. USER MUST SUPPLY A SUITABLE DISCONNECT.



**BOTTOM VIEW**

J:\AutoCAD\CAD 2016\SYSTEMS-150TYPEII\PEID5MINCH ver 2.dwg, 12/9/2016 10:54:17 AM

TOLERANCES  $\pm 1/32"$  FRACTIONAL DIMENSIONS  
 TOLERANCES  $\pm .005"$  DECIMAL DIMENSIONS  
 UNLESS OTHERWISE SPECIFIED

INFORMATION CONTAINED HEREIN IS PROPRIETARY TO EAGLE PNEUMATIC, INC. ALL RIGHTS RESERVED

TITLE:  
 4 INCH TYPE II STATION  
 (DOWN-SEND)

MATERIAL:  
 -----  
 -----

FINISH:  
 -----  
 -----

REV.  
 1-10/22/98  
 2-8/5/03

DRAWN: JAC  
 CADFILE\ A29

DATE: 10/30/89



**EAGLE**  
 PNEUMATIC, INC.  
 (863)644-4870

DRAWING NO.  
 S-150

APPROVED:

ISSUE  
 2