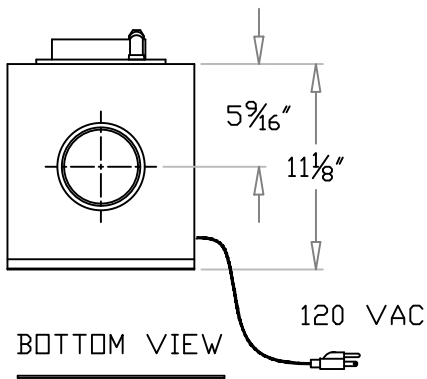


**FRONT VIEW**

**SIDE VIEW**



**BOTTOM VIEW**

NOTE: PLUG IS NOT SUITABLE A DISCONNECT. USER MUST SUPPLY A SUITABLE DISCONNECT.

J:\AutoCAD\CAD 2016\SYSTEMS-149 STATION TYPE\DS ver 2.dwg, 12/9/2016 10:20:33 AM

TOLERANCES  $\pm 1/32"$  FRACTIONAL DIMENSIONS  
TOLERANCES  $\pm .005"$  DECIMAL DIMENSIONS  
UNLESS OTHERWISE SPECIFIED

INFORMATION CONTAINED HEREIN IS PROPRIETARY TO EAGLE PNEUMATIC, INC. ALL RIGHTS RESERVED

TITLE:  
4" TYPE I STATION  
(DOWN-SEND)

MATERIAL:  
-----  
-----

FINISH:  
-----  
-----

REV.  
2.-08/27/03

DRAWN: JAC  
CADFILE\ A28

DATE: 04/20/97



**EAGLE**  
PNEUMATIC, INC.  
(863)644-4870

DRAWING NO.  
S-149

APPROVED:

ISSUE  
2