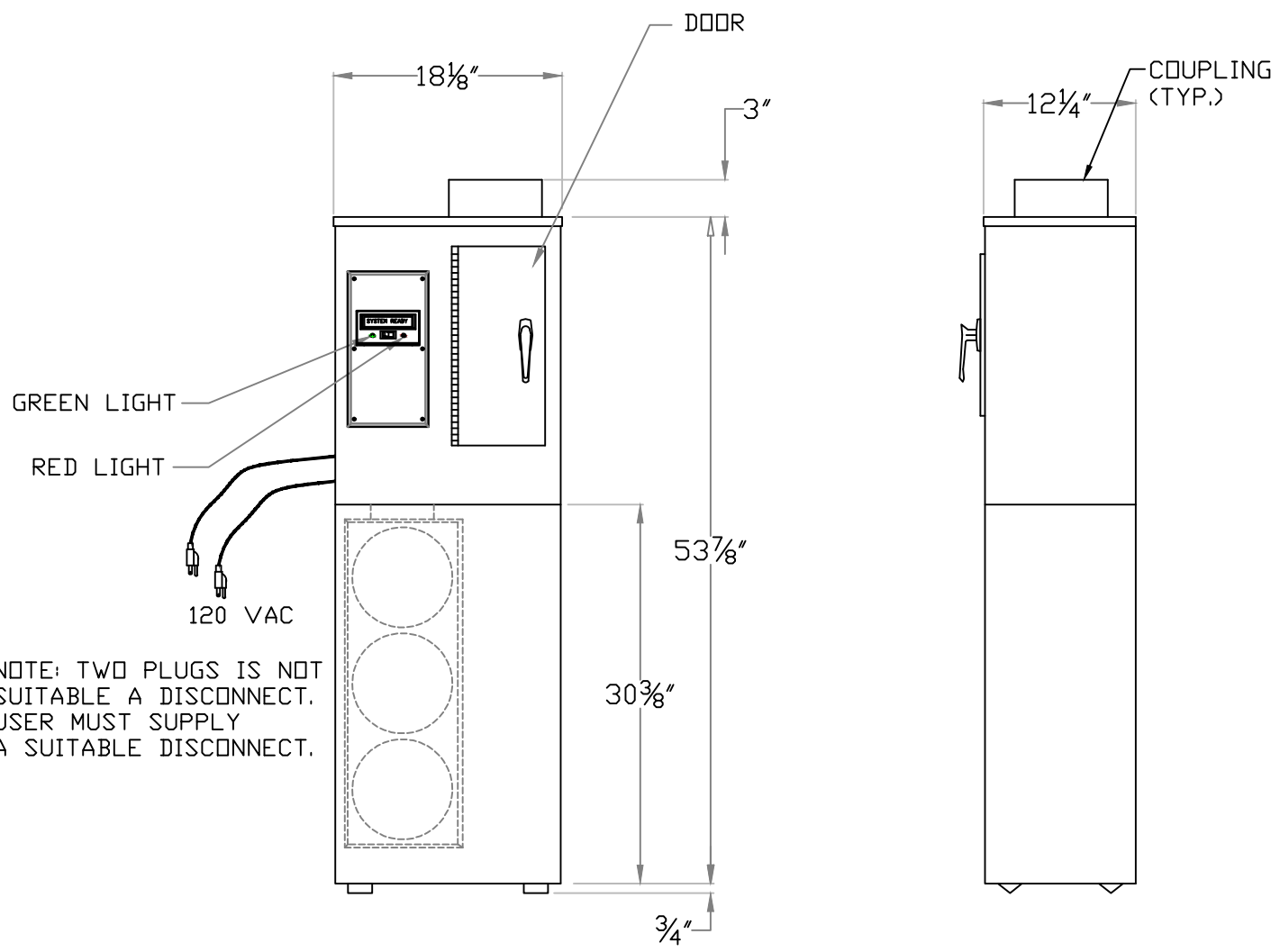
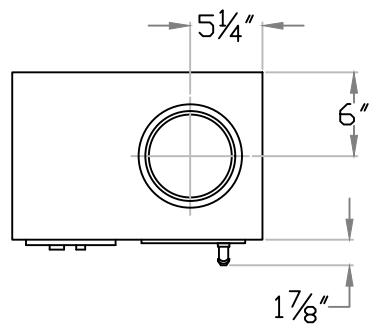



J:\AutoCAD\CAD 2016\S- SYSTEMS-141 G-MARK II PWD STA.dwg, 12/9/2016 12:13:45 PM



NOTE: TWO PLUGS IS NOT SUITABLE A DISCONNECT. USER MUST SUPPLY A SUITABLE DISCONNECT.

TOLERANCES $\pm 1/32"$ FRACTIONAL DIMENSIONS TOLERANCES $\pm .005"$ DECIMAL DIMENSIONS UNLESS OTHERWISE SPECIFIED	MATERIAL:	 EAGLE PNEUMATIC, INC. (863)644-4870
	FINISH:	
INFORMATION CONTAINED HEREIN IS PROPRIETARY TO EAGLE PNEUMATIC, INC. ALL RIGHTS RESERVED	REV. 2-01/03/05	DRAWING NO. S-141-6
TITLE: STATION MARK II POWERED END 6 INCH UP SEND	DRAWN: JAC DATE: 11/18/96 CADFILE: \XXX	APPROVED: ISSUE 2