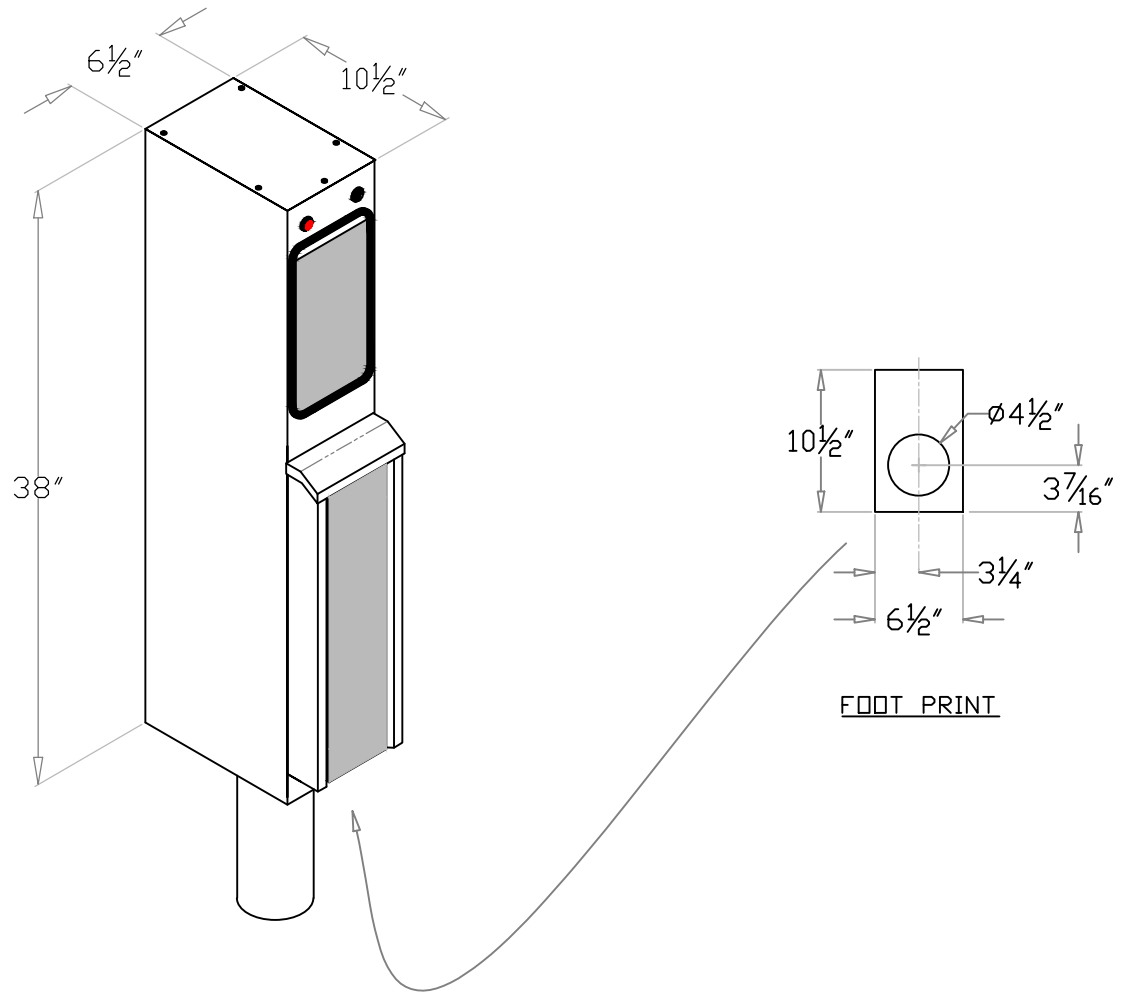



J:\AurCAD\CAD 2016\S-SYSTEMS\S-12461.ME ELITE TELLER STATION WITH POWER DOOR.dwg, 5/3/2016 2:47:50 PM



TOLERANCES $\pm 1/32$ " FRACTIONAL DIMENSIONS TOLERANCES $\pm .005$ " DECIMAL DIMENSIONS UNLESS OTHERWISE SPECIFIED	MATERIAL: ----- -----	 EAGLE PNEUMATIC, INC. (863)644-4870 <small>PNEUMATIC, INC.</small>
INFORMATION CONTAINED HEREIN IS PROPRIETARY TO EAGLE PNEUMATIC, INC. ALL RIGHTS RESERVED	FINISH: ----- -----	
TITLE: M2 ELITE TELLER STATION 4.5 INCH DOWN SEND WITH POWER DOOR	REV 2-01/11/10 DRAWN: JAC DATE: 04/09/09 CADFILE: --	DRAWING NO. S-12461 APPROVED: ISSUE 2