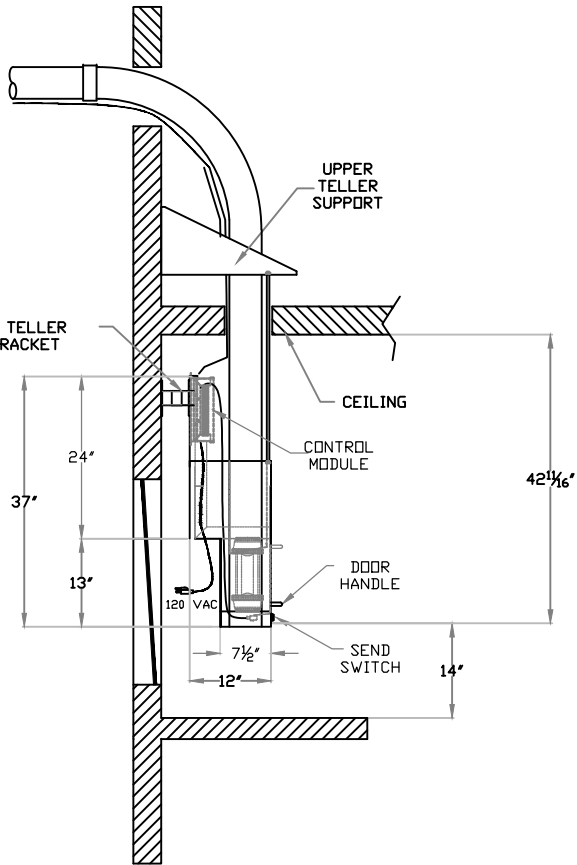
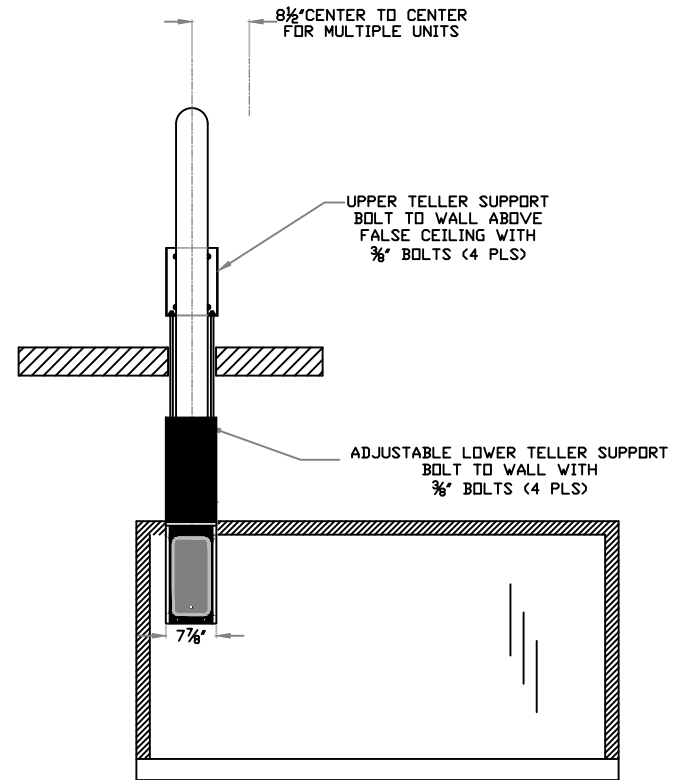


ADJUSTABLE TELLER MOUNTING BRACKET




TELLER STATION
SIDE ELEVATION



TELLER STATION
FRONT ELEVATION

J:\AutoCAD\CAD 2016\S-SYSTEMS-12460 M2 Elite Drive Up teller.dwg, 5/3/2016 2:46:47 PM

TOLERANCES ±1/32" FRACTIONAL DIMENSIONS TOLERANCES ±.005" DECIMAL DIMENSIONS UNLESS OTHERWISE SPECIFIED	MATERIAL: ----- -----	 EAGLE PNEUMATIC, INC. (863)644-4870 PNEUMATIC, INC.
INFORMATION CONTAINED HEREIN IS PROPRIETARY TO EAGLE PNEUMATIC, INC. ALL RIGHTS RESERVED	FINISH: ----- -----	
TITLE: INSTALLATION DETAILS M2 ELITE 4.5" TELLER UNIT UP-SEND	REV 1-36/25/08 2-08/04/09	DRAWING NO. S-12460
	DRAWN: JAC DATE: 06/25/08 CADFILE: --	APPROVED: ISSUE 2