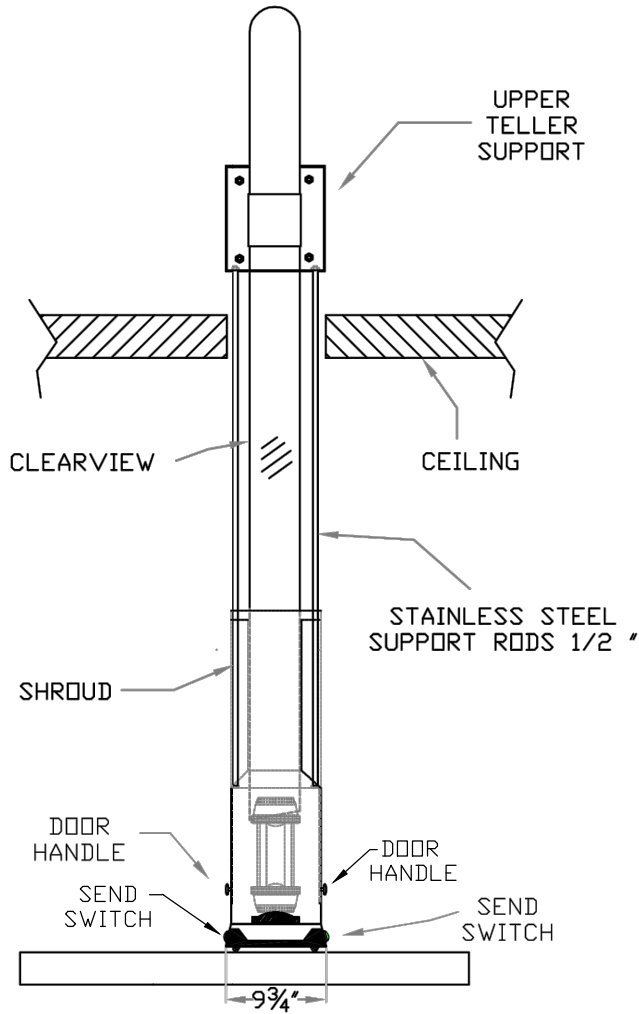
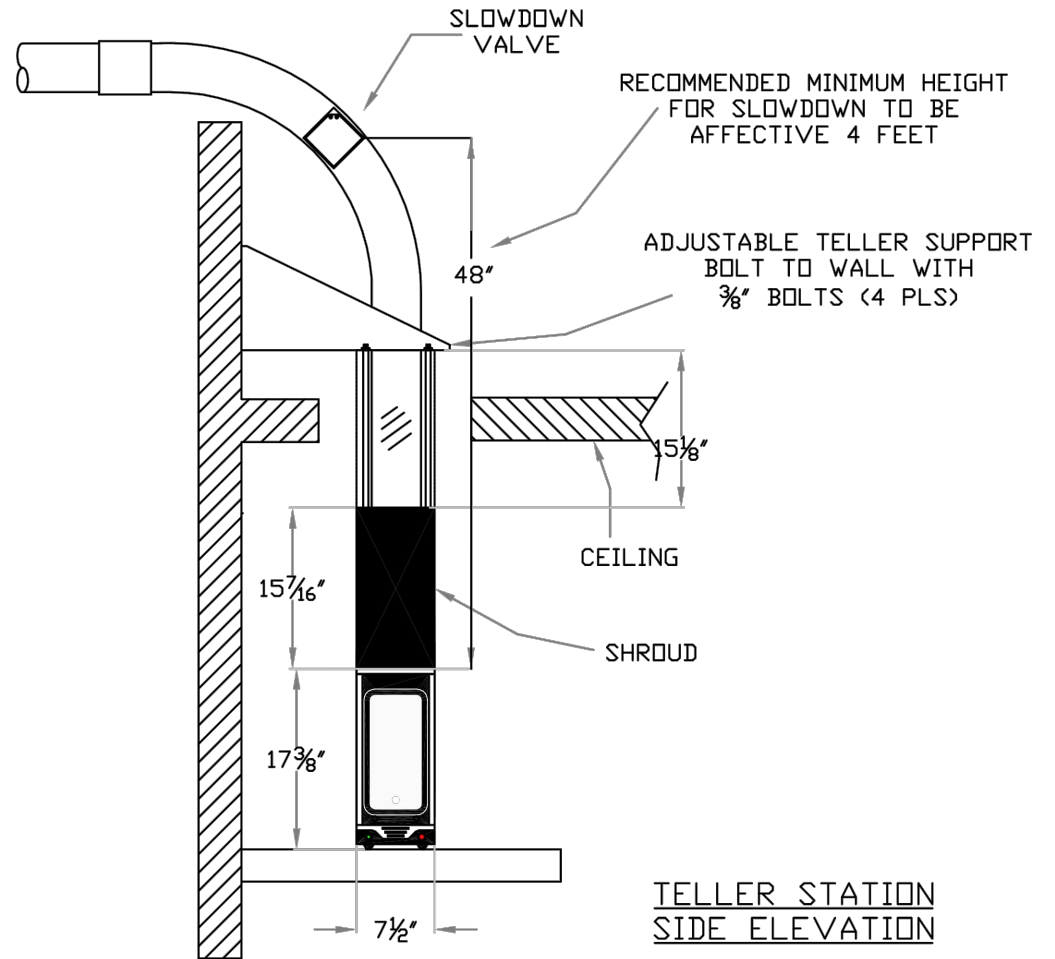



J:_New J Drive_AutoCAD 2017\AutoCAD\CAD 2017\SYSTEMS-12460-2 M2 Elite Drive Up Teller.dwg, 12/14/2016 12:48:59 PM



**TELLER STATION
FRONT ELEVATION**



**TELLER STATION
SIDE ELEVATION**

TOLERANCES ±1/32" FRACTIONAL DIMENSIONS TOLERANCES ±.005" DECIMAL DIMENSIONS UNLESS OTHERWISE SPECIFIED	MATERIAL:	
INFORMATION CONTAINED HEREIN IS PROPRIETARY TO EAGLE PNEUMATIC, INC. ALL RIGHTS RESERVED	FINISH:	
TITLE: INSTALLATION DETAILS M2 ELITE 4.5" DOUBLE SIDED TELLER UNIT UPSEND	REV.	DRAWING NO. S-12460-2
	DRAWN: CADFILE\ DL DATE: 03/24/2011	APPROVED: