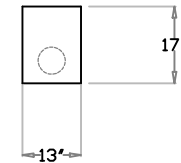
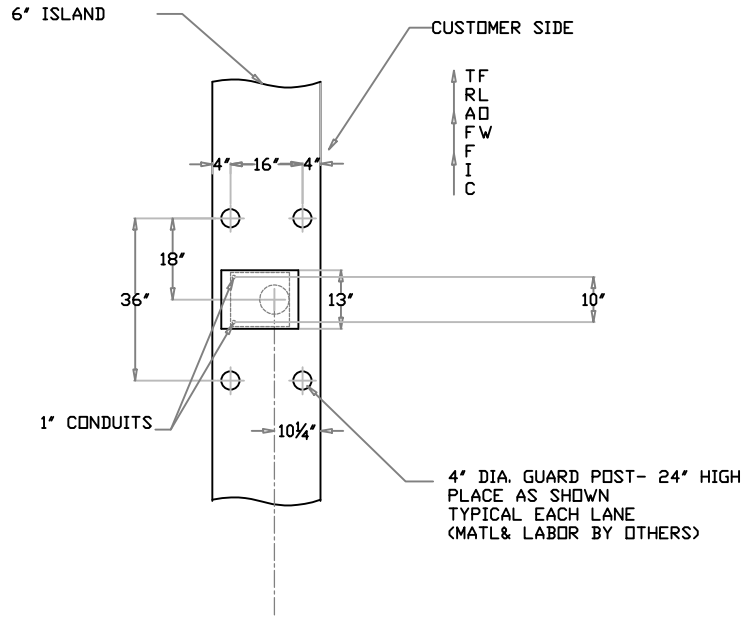
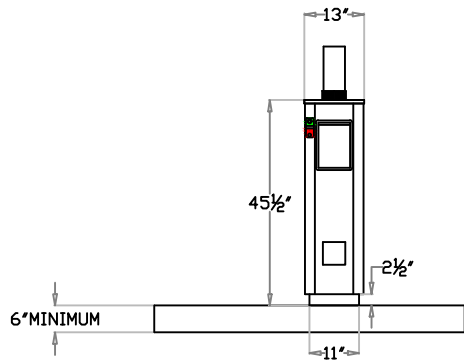
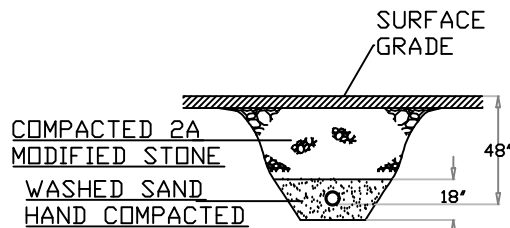


J:\AuroCAD\2016\S-System\S-12453 M2 ELITE CUSTOMER 4.5 INCH DOWN SEND STATION STANDARD INSTALLATION DETAILS.dwg, 12/7/2016 2:19:32 PM

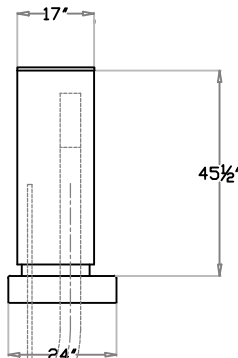


CROSS SECTION OF TRENCH (TYPICAL)

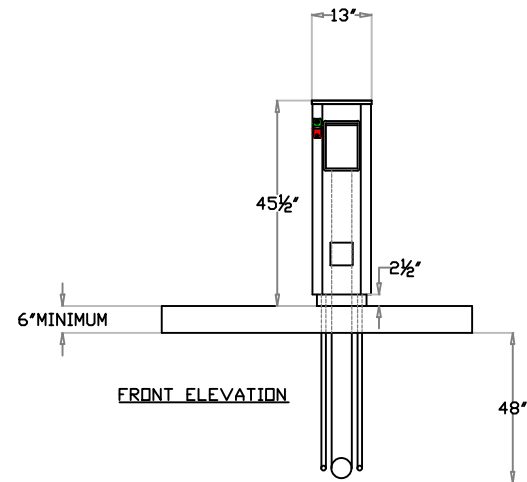


4.5" DIA. MILL WRAP STEEL TUBE AND 2- 1" CONDUITS BURIED IN TRENCH

LEFT SIDE ELEVATION



FRONT ELEVATION



TOLERANCES $\pm 1/32$ " FRACTIONAL DIMENSIONS
TOLERANCES $\pm .005$ " DECIMAL DIMENSIONS
UNLESS OTHERWISE SPECIFIED

INFORMATION CONTAINED HEREIN IS
PROPRIETARY TO EAGLE PNEUMATIC, INC.
ALL RIGHTS RESERVED

TITLE:
INSTALLATION SPECIFICATIONS
FOR M2 ELITE 4.5" DRIVE UP
SYSTEM

MATERIAL:

FINISH:

REV
2-01/28/09
3-09/17/09

DRAWN: JAC DATE: 06/23/08
CADFILE: --



EAGLE
PNEUMATIC, INC.
(863)644-4870

DRAWING NO.
S-12453

APPROVED:

ISSUE 3