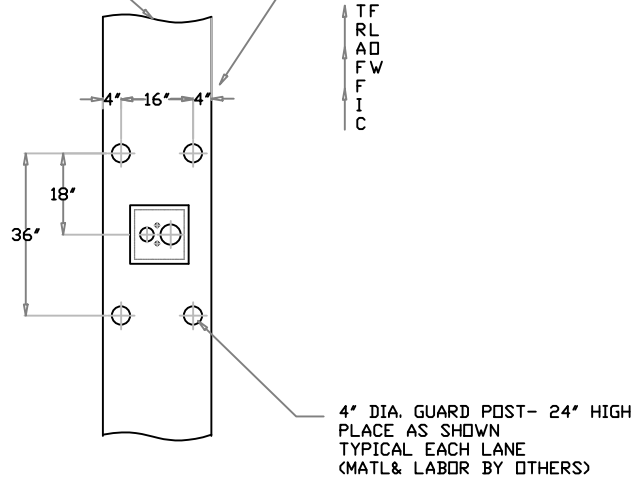


6" ISLAND

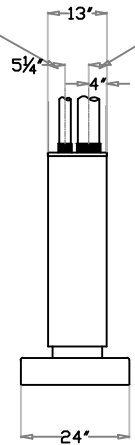
CUSTOMER SIDE



TF
RL
AD
FW
FI
C

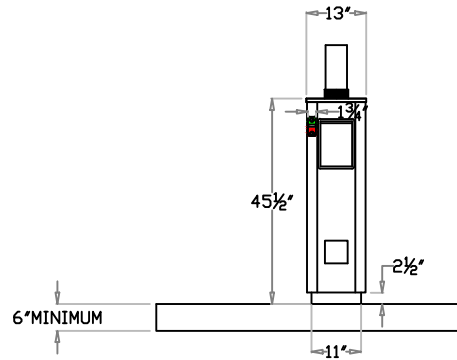
4" DIA. GUARD POST- 24" HIGH
PLACE AS SHOWN
TYPICAL EACH LANE
(MATL & LABDR BY OTHERS)

2 1/4" CLEAR ACRYLIC TUBE
STANDARD IS 8' LONG




LEFT SIDE ELEVATION

4 1/2" DIA. CLEAR ACRYLIC TUBE
(STANDARD IS 8' LONG)



FRONT ELEVATION

J:\AurCAD\CAD 2016\S- SYSTEMS\S-12452 M2 ELITE CUSTOMER 4.5 INCH UP SEND STD INSTALLATION DETAILS.dwg, 5/3/2016 2:42:35 PM

TOLERANCES $\pm 1/32$ " FRACTIONAL DIMENSIONS TOLERANCES $\pm .005$ " DECIMAL DIMENSIONS UNLESS OTHERWISE SPECIFIED	MATERIAL: ----- -----	
INFORMATION CONTAINED HEREIN IS PROPRIETARY TO EAGLE PNEUMATIC, INC. ALL RIGHTS RESERVED	FINISH: ----- -----	
TITLE: M2 ELITE 4.5" DRIVE UP CUSTOMER STATION	REV: /-- -----	DRAWING NO. S-12452
DRAWN: JAC CAD FILE: --	DATE: --/--/--	APPROVED: _____ ISSUE 0