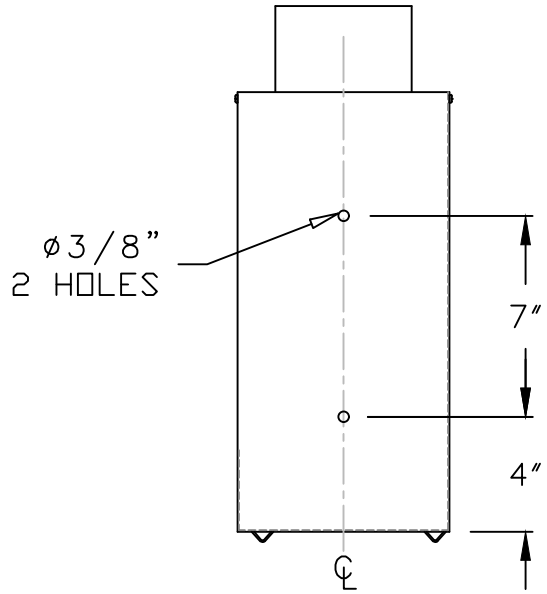
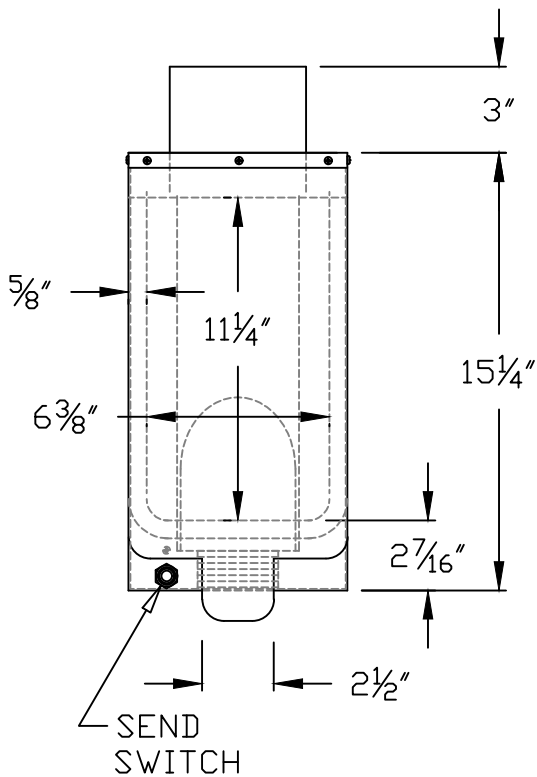


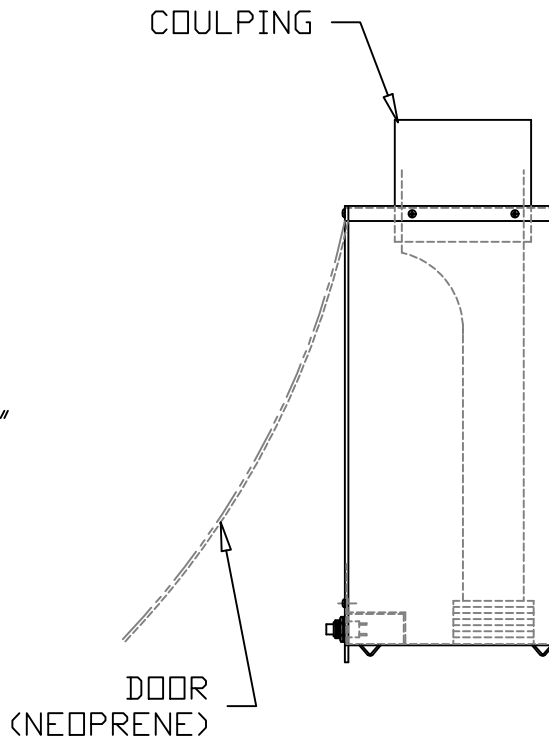
TOP VIEW



REAR VIEW



FRONT VIEW



SIDE VIEW



INFORMATION CONTAINED HEREIN IS PROPRIETARY TO EAGLE PNEUMATIC, INC ALL RIGHTS RESERVED.

TOLERANCES:  
UNLESS OTHERWISE SPECIFIED  
FRACTIONS  $\pm 0.005$ "  
DECIMALS  $\pm 0.005$ "

REVISIONS:  
1. 05/09/16

DRAWN BY: MAS

DATE: 05.09.16

NAME:  
3 OR 4 INCH  
TICKET TRUCK  
STATION  
(UP SEND)

PART NO.

S-12191

CADFILE: A19 ISS: 1