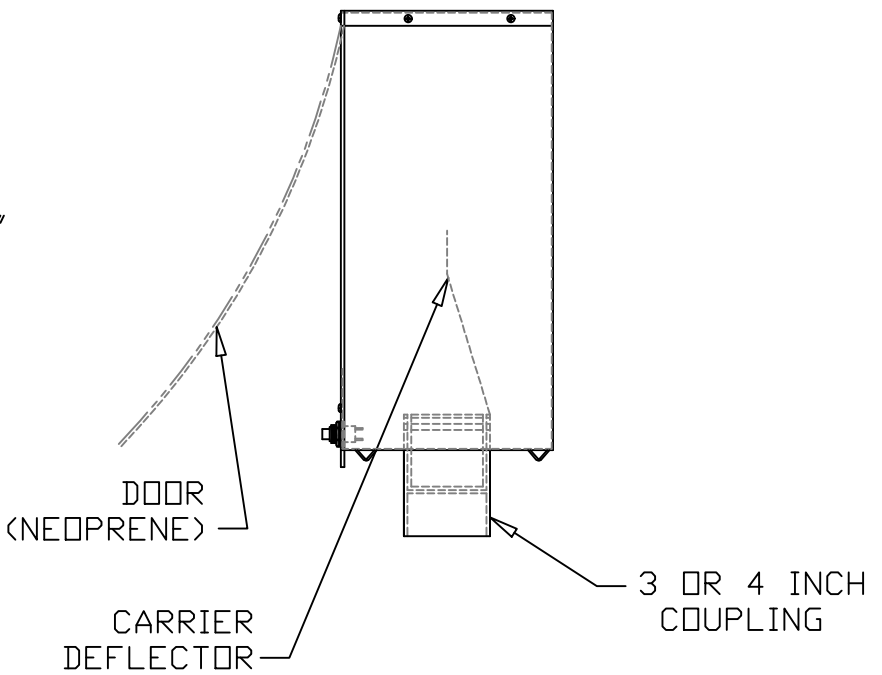
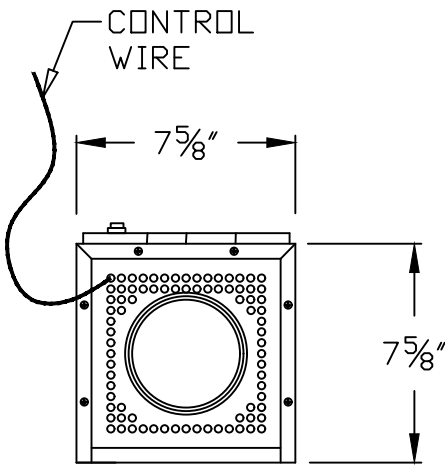


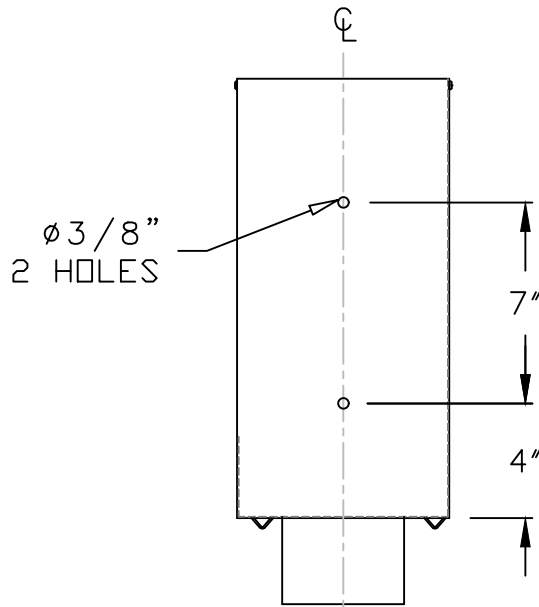
FRONT VIEW



SIDE VIEW



BOTTOM VIEW



REAR VIEW



INFORMATION CONTAINED HEREIN IS PROPRIETARY TO EAGLE PNEUMATIC, INC ALL RIGHTS RESERVED.

TOLERANCES:
UNLESS OTHERWISE SPECIFIED
FRACTIONS +/-0.005"
DECIMALS +/-0.005"

REVISIONS:
1. 05/09/16

DRAWN BY: MAS

DATE: 05.09.16

NAME:
3 OR 4 INCH TRUCK STATION
(DOWN SEND)

PART NO.
S-12190

CADFILE: A19 ISS: 1