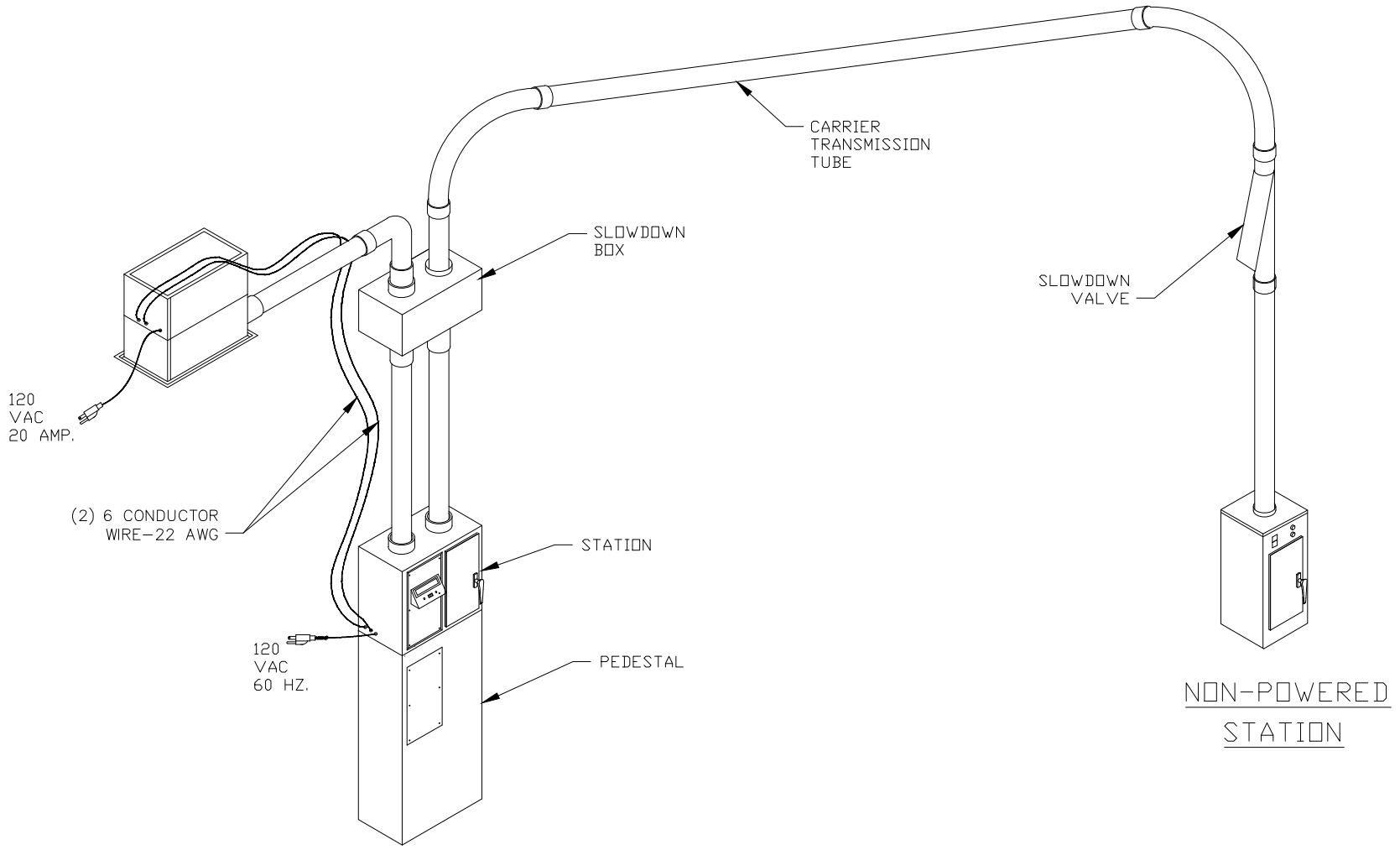



J:\AutoCAD\CAD 2016\S-System\S-11969 BASIC MARK II W REMOTE BLOWER AND SLOWDOWN VALVES.dwg, 5/13/2016 10:39:16 AM



MASTER STATION

NON-POWERED STATION

TOLERANCES $\pm 1/32"$ FRACTIONAL DIMENSIONS TOLERANCES $\pm .005"$ DECIMAL DIMENSIONS UNLESS OTHERWISE SPECIFIED	MATERIAL: -----	 EAGLE PNEUMATIC, INC. (863)644-4870
	INFORMATION CONTAINED HEREIN IS PROPRIETARY TO EAGLE PNEUMATIC, INC. ALL RIGHTS RESERVED	
TITLE: SYSTEM, BASIC MARK II WITH REMOTE BLOWER SLOWDOWN VALVES	REV.	DRAWING NO. S-11969
	DRAWN: MAS DATE: 4/15/2016 CADFILE: A30	APPROVED: