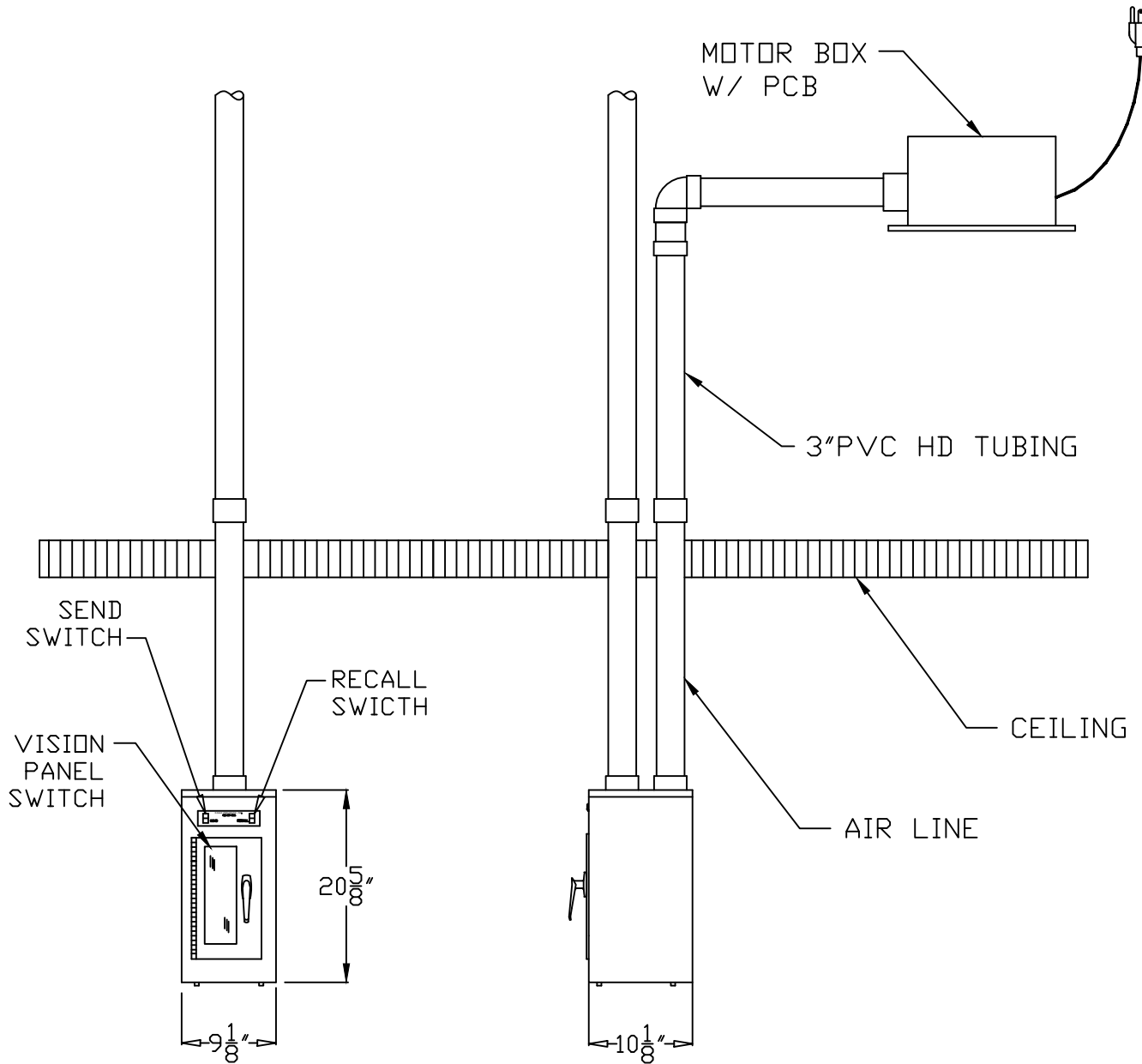


120 VAC



INFORMATION CONTAINED HEREIN IS
PROPRIETARY TO EAGLE PNEUMATIC, INC.
ALL RIGHTS RESERVED

TOLERANCES $\pm 1/32$ " FRACTIONAL DIMENSIONS
TOLERANCES $\pm .005$ " DECIMAL DIMENSIONS
UNLESS OTHERWISE SPECIFIED



TITLE:
3" MINI TICKET
DELIVERY SYSTEM

REV.
1-6/27/00
2-5/09/16

DRAWN BY:
MAS
DATE:
5/09/16

DRAWING NO.
S-11652

CADFILE\A27