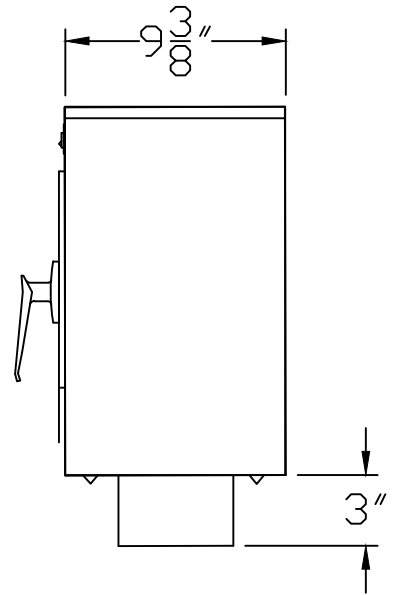
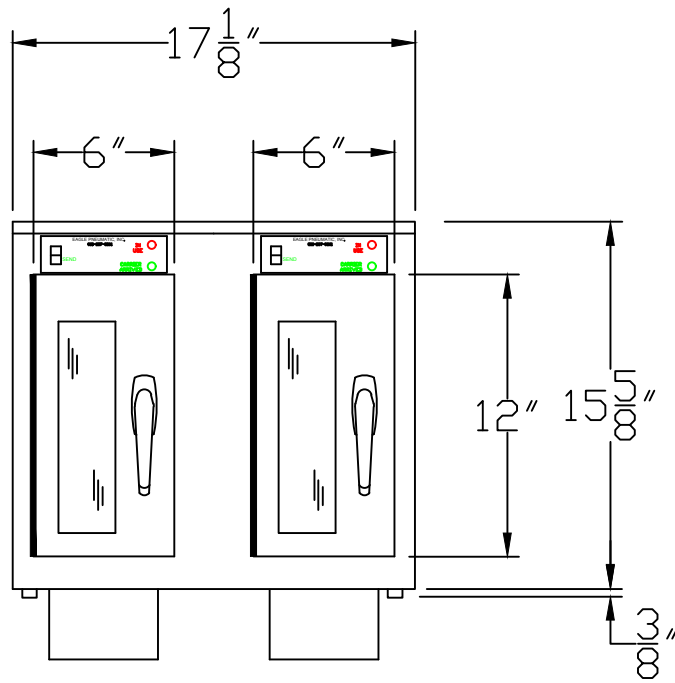
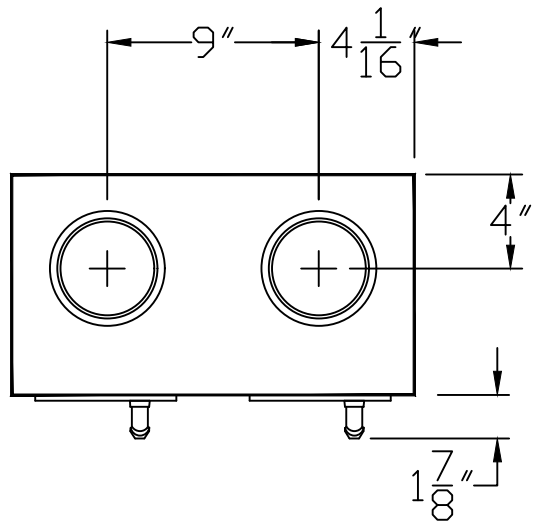


J:\AutoCAD\CAD 2016\S- SYSTEMS-11129 MARK II 3 INCH INTERMEDIATE STA.DS.dwg 12/9/2016 12:52:00 PM



INFORMATION CONTAINED HEREIN IS PROPRIETARY TO EAGLE PNEUMATIC, INC. ALL RIGHTS RESERVED

TOLERANCES $\pm 1/32$ " FRACTIONAL DIMENSIONS
TOLERANCES $\pm .005$ " DECIMAL DIMENSIONS
UNLESS OTHERWISE SPECIFIED



TITLE:
MARK II 3 INCH
INTERMEDIATE STATION
(DOWN-SEND)

REV.

DRAWN BY:
JAC
DATE:
3/6/99

DRAWING NO.
S-11129

CAD FILE: A27