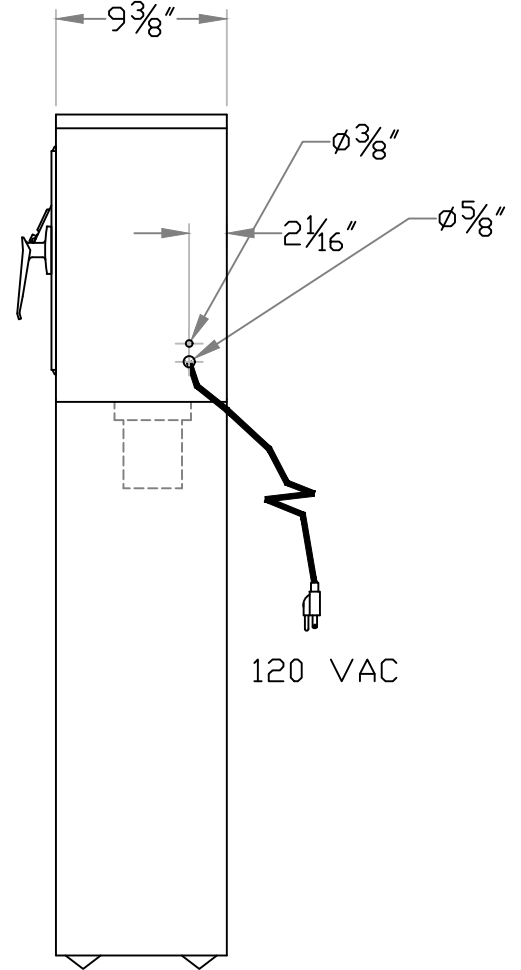


120 VAC
 NOTE: PLUG IS NOT
 SUITABLE A DISCONNECT.
 USER MUST SUPPLY
 A SUITABLE DISCONNECT.



J:\AutoCAD\CAD 2016\SYSTEMS-11019 3-STATION MARK II 3 INCH DOWN-SEND PWD END.dwg, 12/09/2016 12:36:16 PM

TOLERANCES $\pm 1/32"$ FRACTIONAL DIMENSIONS
 TOLERANCES $\pm .005"$ DECIMAL DIMENSIONS
 UNLESS OTHERWISE SPECIFIED

INFORMATION CONTAINED HEREIN IS
 PROPRIETARY TO EAGLE PNEUMATIC, INC.
 ALL RIGHTS RESERVED

TITLE:
 STATION, MARK II
 3 INCH DOWN-SEND
 POWERED END

MATERIAL:

FINISH:

REV.
 1.-09/15/98
 2.-08/19/03
 3.-12/30/04

DRAWN: JAC
 CADFILE\ A30

DATE: 03/08/98



EAGLE
 PNEUMATIC, INC.
 (863)644-4870

DRAWING NO.
 S-11019

APPROVED:

ISSUE
 3