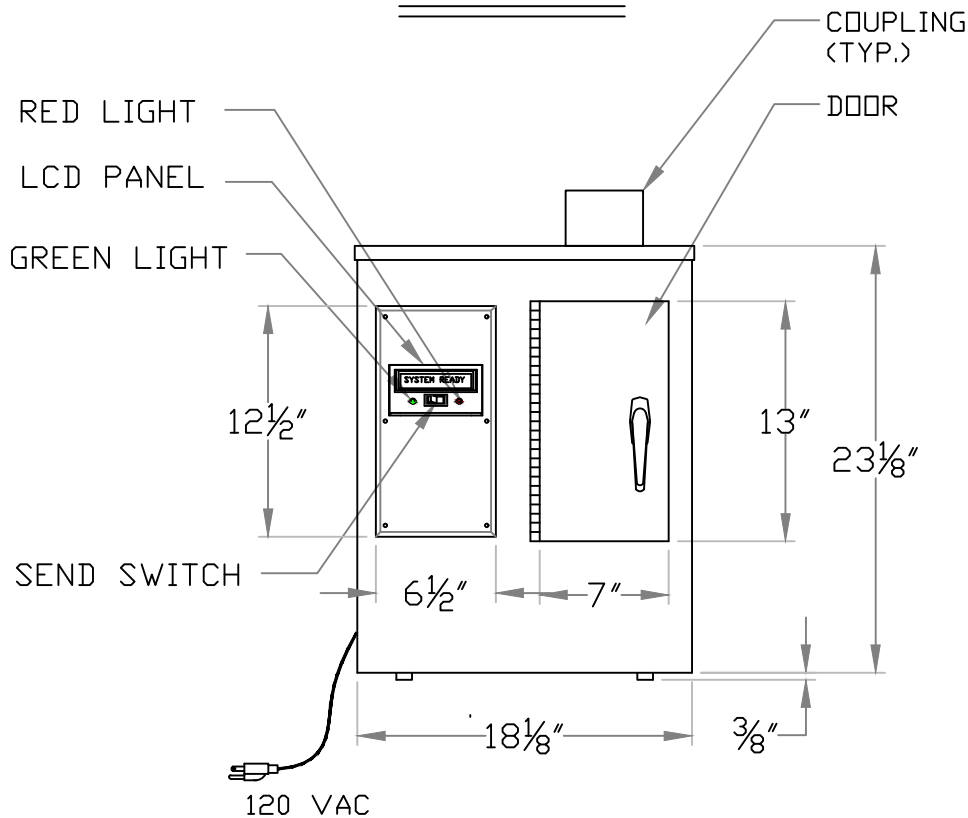
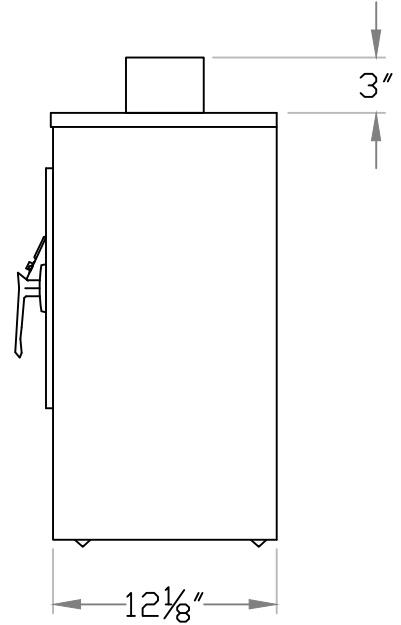


TOP VIEW



FRONT VIEW



SIDE VIEW

NOTE: PLUG IS NOT SUITABLE A DISCONNECT. USER MUST SUPPLY A SUITABLE DISCONNECT.

J:\AutoCAD\CAD 2016\SYSTEMS-109TYPEIIUS4INCH ver.2.dwg, 12/9/2016 10:45:55 AM

TOLERANCES  $\pm 1/32$ " FRACTIONAL DIMENSIONS  
TOLERANCES  $\pm .005$ " DECIMAL DIMENSIONS  
UNLESS OTHERWISE SPECIFIED

INFORMATION CONTAINED HEREIN IS PROPRIETARY TO EAGLE PNEUMATIC, INC. ALL RIGHTS RESERVED

TITLE:  
NAME 4 INCH TYPE II  
UP-SEND STATION

MATERIAL:  
-----  
-----

FINISH:  
-----  
-----

REV.  
1-10/28/98  
2.09/24/03

DRAWN: JAC  
CADFILE\ A28

DATE: 3/25/98



**EAGLE**  
PNEUMATIC, INC.  
(863)644-4870

DRAWING NO.  
S-109

APPROVED:

ISSUE  
2