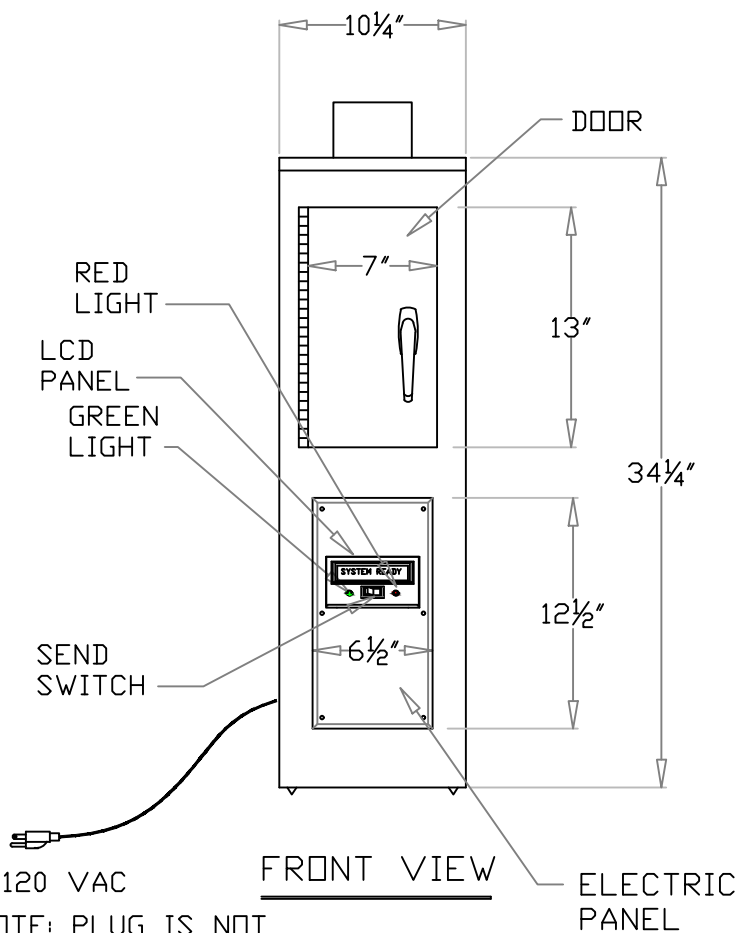
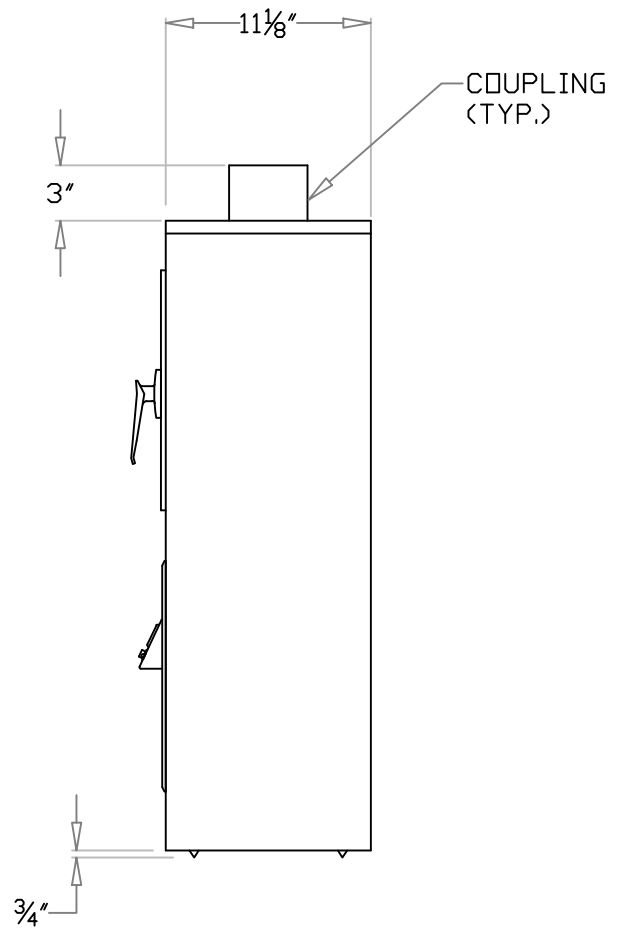


TOP VIEW



FRONT VIEW



SIDE VIEW

NOTE: PLUG IS NOT SUITABLE A DISCONNECT. USER MUST SUPPLY A SUITABLE DISCONNECT.

TOLERANCES $\pm 1/32"$ FRACTIONAL DIMENSIONS
TOLERANCES $\pm .005"$ DECIMAL DIMENSIONS
UNLESS OTHERWISE SPECIFIED

INFORMATION CONTAINED HEREIN IS PROPRIETARY TO EAGLE PNEUMATIC, INC. ALL RIGHTS RESERVED

TITLE:
STATION, TYPE I
4 INCH UP-SEND

MATERIAL:

FINISH:

REV.
1.-01/20/98
2.-08/26/03
3.-12/20/04

DRAWN: JAC
CADFILE: A28

DATE: 09/19/96



EAGLE
PNEUMATIC, INC.
(863)644-4870

DRAWING NO.
S-108

APPROVED:

ISSUE
3