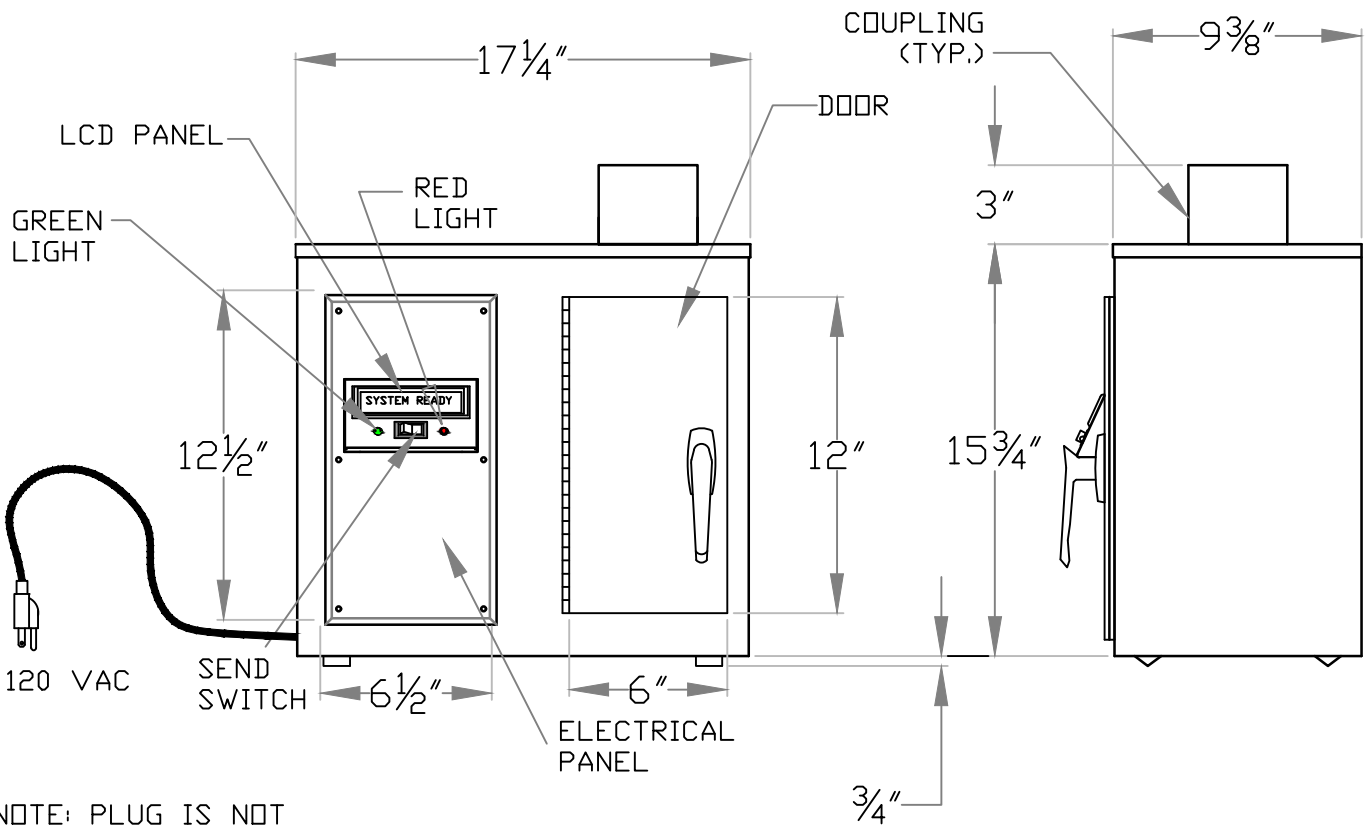


TOP VIEW



FRONT VIEW

SIDE VIEW

NOTE: PLUG IS NOT SUITABLE A DISCONNECT. USER MUST SUPPLY A SUITABLE DISCONNECT.

TOLERANCES $\pm 1/32"$ FRACTIONAL DIMENSIONS
 TOLERANCES $\pm .005"$ DECIMAL DIMENSIONS
 UNLESS OTHERWISE SPECIFIED

INFORMATION CONTAINED HEREIN IS PROPRIETARY TO EAGLE PNEUMATIC, INC. ALL RIGHTS RESERVED

TITLE:
 STATION, TYPE II
 3-INCH UP-SEND

MATERIAL:

FINISH:

REV. 2-08/05/03
 3-12/20/04
 4-12/28/04
 5-04/25/16

DRAWN: MAS
 CADFILE: A29

DATE: 04/25/16



EAGLE
 PNEUMATIC, INC.
 (863)644-4870

DRAWING NO.
 S-107

APPROVED:

ISSUE
 4