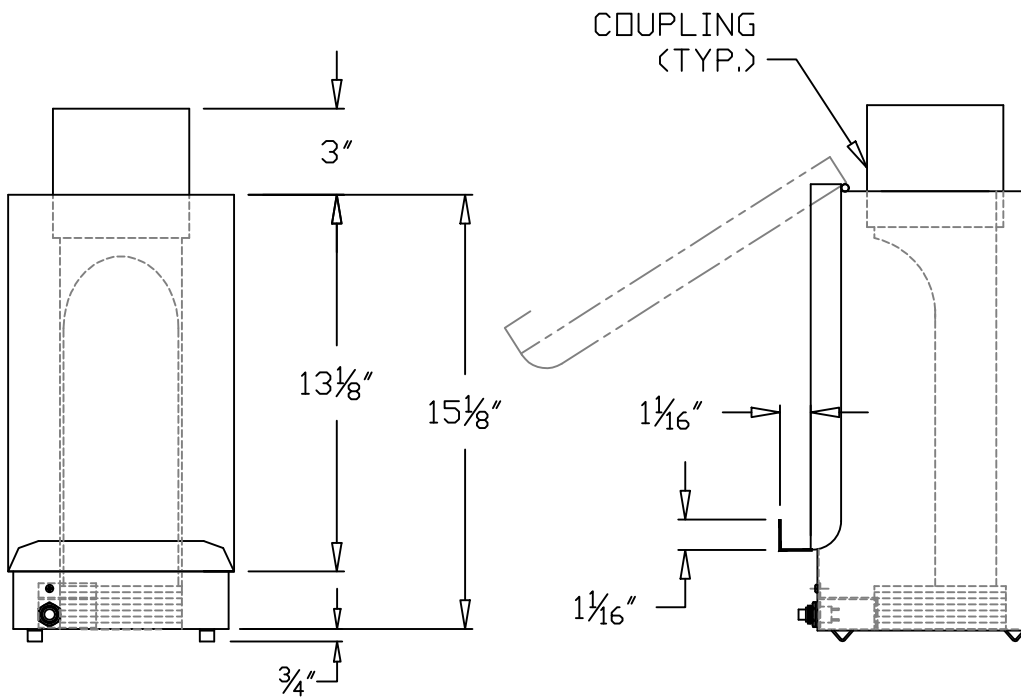


TOP VIEW



FRONT VIEW

SIDE VIEW



INFORMATION CONTAINED HEREIN IS PROPRIETARY TO EAGLE PNEUMATIC, INC ALL RIGHTS RESERVED.

TOLERANCES:  
UNLESS OTHERWISE SPECIFIED  
FRACTIONS +/- .132"  
DECIMALS +/- .005"

REVISIONS:  
2-04.19.04  
3-12.21.04  
4-09.04.08  
4-05.10.16

DRAWN BY: MAS

DATE: 7.29.96

NAME:  
4 INCH TICKET  
DELIVERY  
TRUCK STATION  
(UP SEND)

PART NO.  
S-10361

CADFILE: A19 ISS: 4