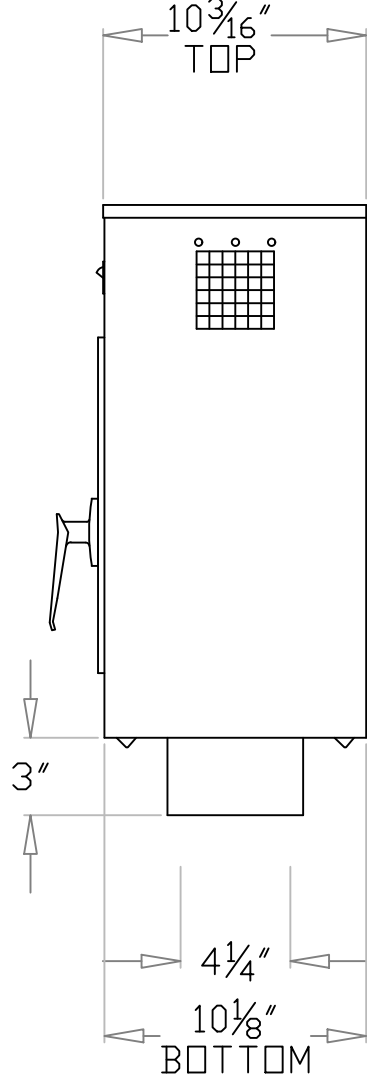
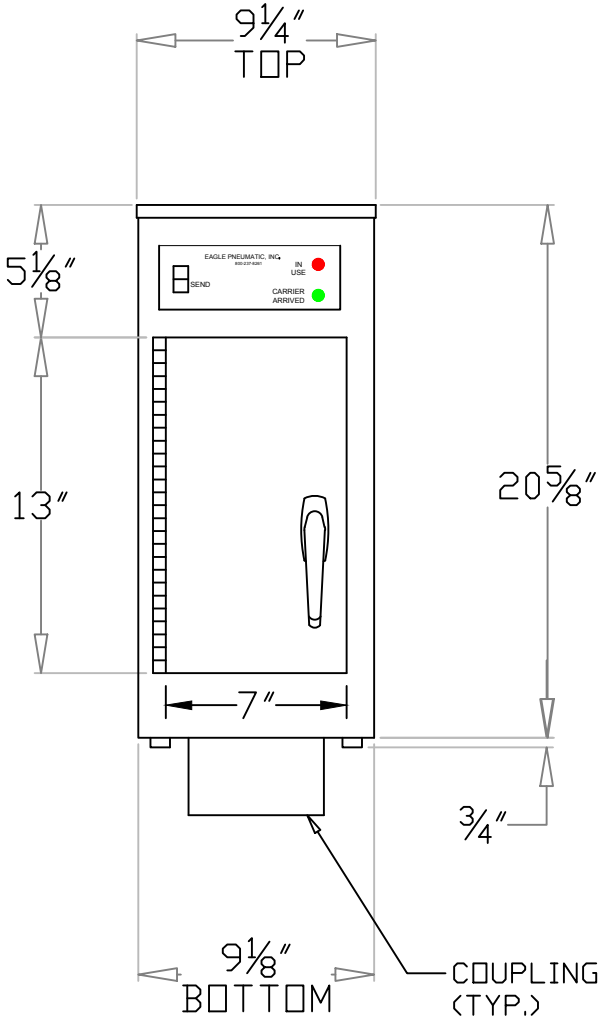
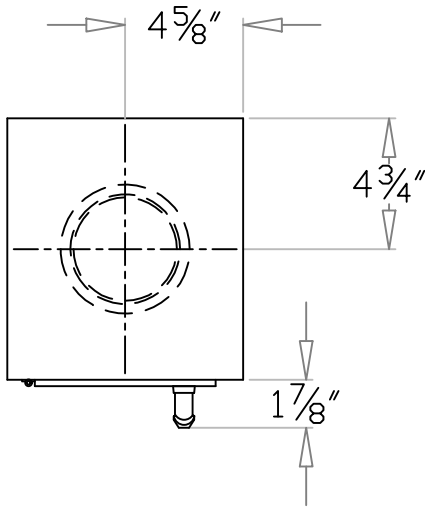


J:\AutoCAD\CAD 2016\S-SYSTEMS-10227 STATION-MARK II 4 INCH DOWN SEND NON-PWD.dwg, 12/9/2016 1:13:14 PM



INFORMATION CONTAINED HEREIN IS PROPRIETARY TO EAGLE PNEUMATIC, INC ALL RIGHTS RESERVED.

TOLERANCES:
UNLESS OTHERWISE SPECIFIED
FRACTIONS +/-1/32"
DECIMALS +/-0.005"

REVISIONS:
1-3/12/97
2-12/23/04

DRAWN BY: JAC

DATE: 3/12/97

NAME:
STATION-MARK II 4
INCH NON-PWD
DOWN-SEND

PART NO.
S-10227

CADFILE: --- ISS: 2