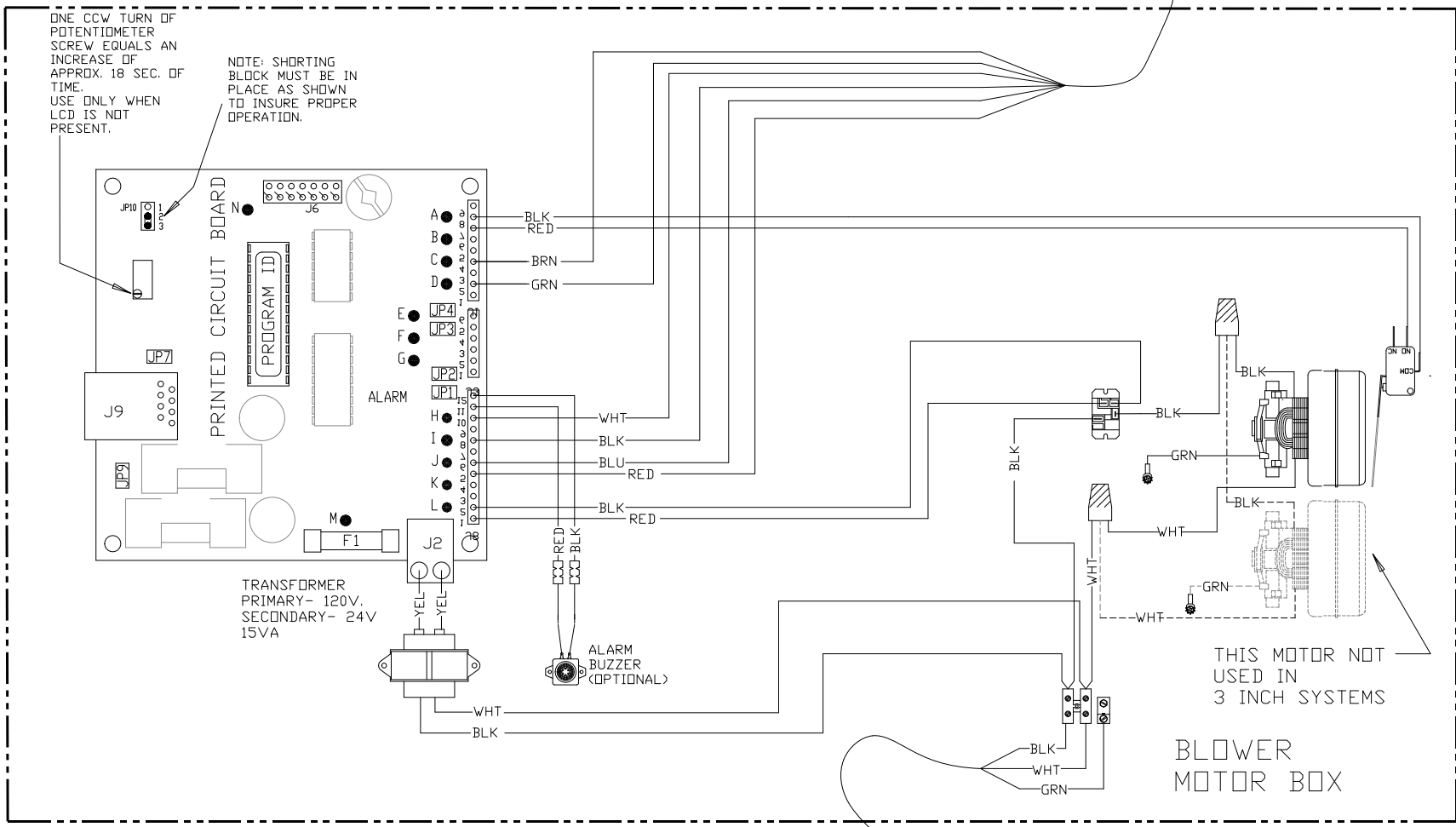


22 Ga 6 Conductor



ONE CCW TURN OF POTENTIOMETER SCREW EQUALS AN INCREASE OF APPROX. 18 SEC. OF TIME. USE ONLY WHEN LCD IS NOT PRESENT.

NOTE: SHORTING BLOCK MUST BE IN PLACE AS SHOWN TO INSURE PROPER OPERATION.

PRINTED CIRCUIT BOARD

TRANSFORMER  
PRIMARY- 120V.  
SECONDARY- 24V  
15VA

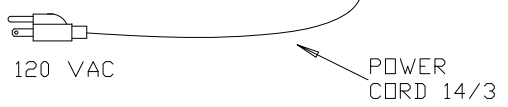
ALARM BUZZER (OPTIONAL)

THIS MOTOR NOT USED IN 3 INCH SYSTEMS

BLOWER MOTOR BOX

VOLTAGE-120VAC  
14 AMPS  
1 HP SINGLE PHASE/50/60 Hz.

20 AMP BRANCH CIRCUIT PROTECTION TO BE PROVIDED BY OTHERS DURING FIELD INSTALLATION.



NOTE: PLUGS ARE NOT SUITABLE AS A DISCONNECTS. USER MUST SUPPLY A SUITABLE DISCONNECTS.



INFORMATION CONTAINED HEREIN IS PROPRIETARY TO EAGLE PNEUMATIC, INC ALL RIGHTS RESERVED.

TOLERANCES: UNLESS OTHERWISE SPECIFIED FRACTIONS +/-1/32" DECIMALS +/-0.005"

REVISIONS:

DRAWN BY: DTS

DATE: 10/18/11

NAME:  
WIRING DIAGRAM  
MINI TYPE I / TYPE II  
3&4 INCH  
PRESSURE-PRESSURE  
SYSTEM

PART NO.  
E-12629

CADFILE: