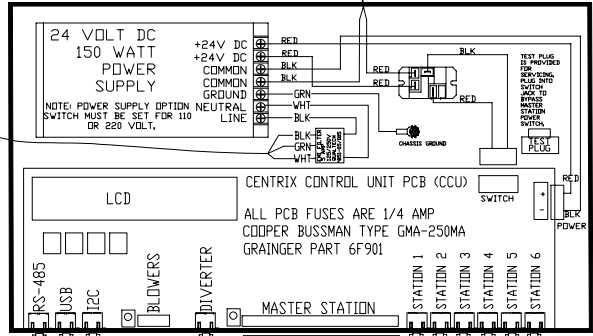
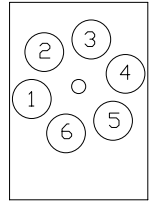
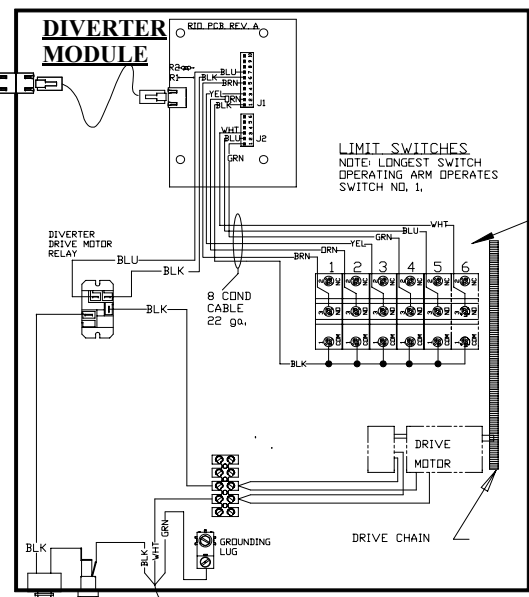
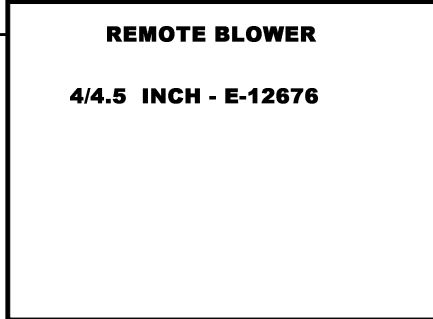
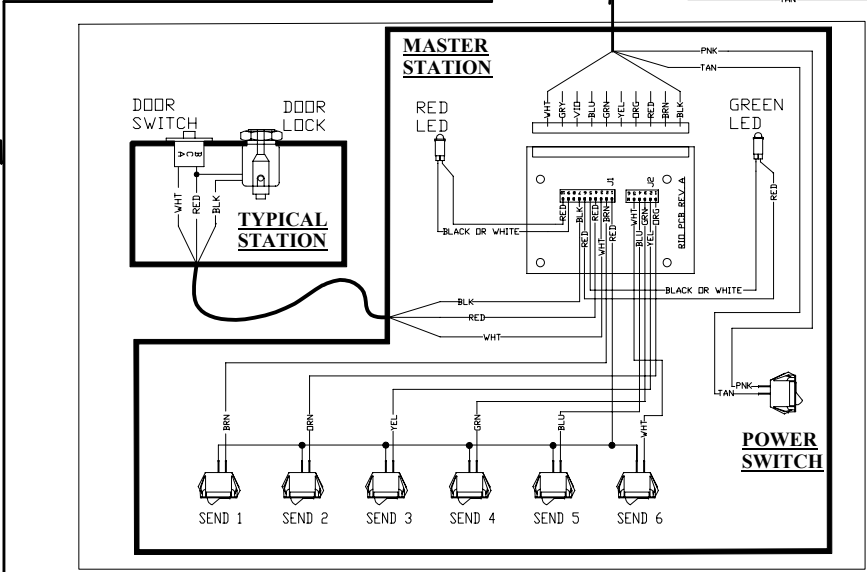
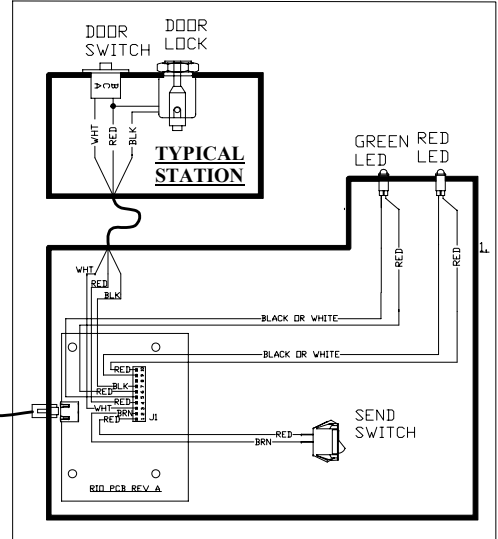


NOTE: CONTROLLER MUST BE LOCATED IN AN AREA NOT EXCEEDING A TEMPERATURE OF 100°F



SLAVE STATION (1 OF 6)



VIEW OF DIVERTER FROM FRONT SHOWING STATION ASSIGNMENTS.

NOTE: ASSIGNMENT NOS. MUST AGREE WITH SWITCH NO. WIRING.

TOLERANCES ±1/32" FRACTIONAL DIMENSIONS TOLERANCES ±.005" DECIMAL DIMENSIONS UNLESS OTHERWISE SPECIFIED	MATERIAL:	
INFORMATION CONTAINED HEREIN IS PROPRIETARY TO EAGLE PNEUMATIC, INC. ALL RIGHTS RESERVED	FINISH:	
TITLE: CENTRIX 2011 SYSTEM WIRING DIAGRAM	REV. 2	DRAWING NO. E-12620
DRAWN: CAD/FILEN	DATE: 03/17/15	APPROVED: [Signature]
		ISSUE 1

22 ga. 3 cond.

22 ga. 2 cond.

22 ga. 12 cond.

CATS CABLE

CATS CABLE

120 VAC
2 AMP.

120 VAC
5 AMP.

POWER SWITCH
SLOW-BLOW FUSE
5 AMP.