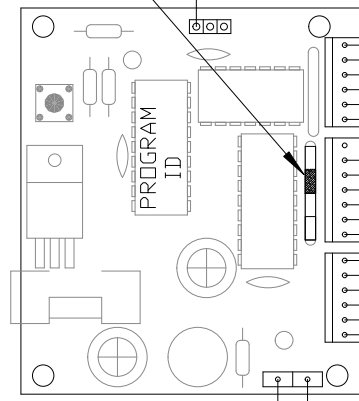
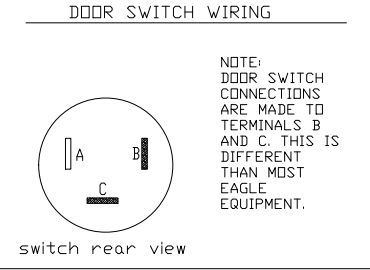


INSTALL JUMPER AT JP3 AS SHOWN. FAILURE TO INSTALL WILL CAUSE "IN USE" LEDS TO BE DIM.

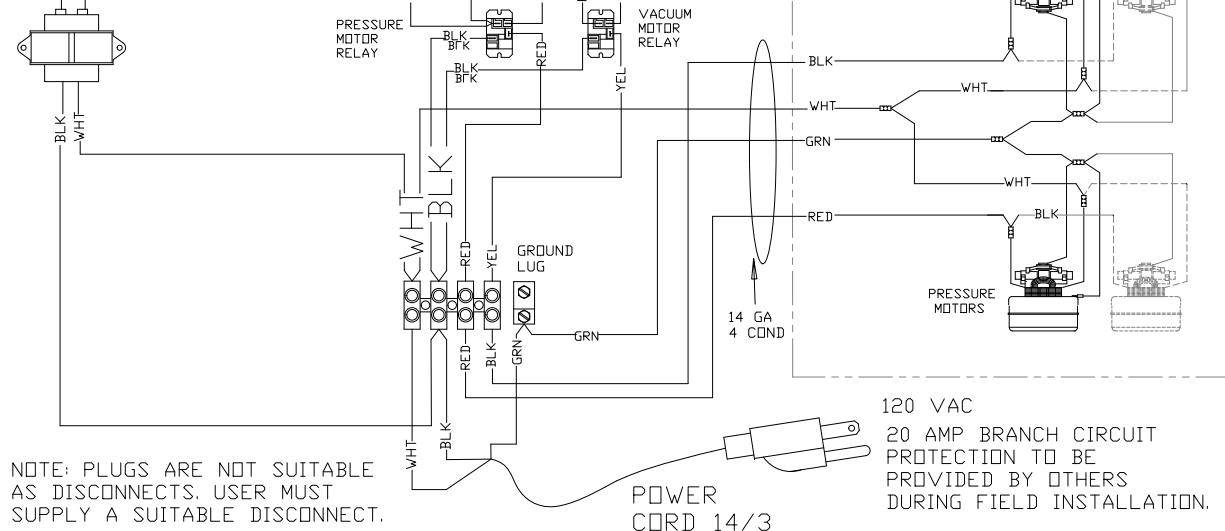


CIRCUIT BOARD CONFIGURATION
 M2 PCB REQUIRES SOFTWARE RFINTE V1.00 OR LATER.
 SHORING BLOCK JP3 MUST BE INSTALLED ON PCB AS SHOWN.

LED WIRING
 4.7K RESISTORS MUST BE INSTALLED AT EACH "IN USE" LED AS SHOWN FOR THE LEDS TO FUNCTION. FAILURE TO INSTALL A RESISTOR WILL DESTROY THAT LED.



CLASS 2 TRANSFORMER
 PRIMARY-120V.
 SECONDARY-
 24V 15VA



VOLTAGE-120VAC
 14 AMPS (4 Inch)
 7 AMPS (3 Inch)
 SINGLE PHASE
 50/60 Hz.

NOTE: PLUGS ARE NOT SUITABLE AS DISCONNECTS. USER MUST SUPPLY A SUITABLE DISCONNECT.



INFORMATION CONTAINED HEREIN IS PROPRIETARY TO EAGLE PNEUMATIC, INC ALL RIGHTS RESERVED.

TOLERANCES:
 UNLESS OTHERWISE SPECIFIED
 FRACTIONS +/-1/32"
 DECIMALS +/-0.005"

REVISIONS:
 01-1/3/11

DRAWN BY: DTS/JAC

DATE: 12/21/10

NAME:
 WIRING DIAGRAM
 3 & 4 INCH
 MINI MARK II
 SYSTEM WITH DOUBLE DOOR
 INTERMEDIATE
 STATION

PART NO.
 E-12618
 Rev 01

CADFILE: