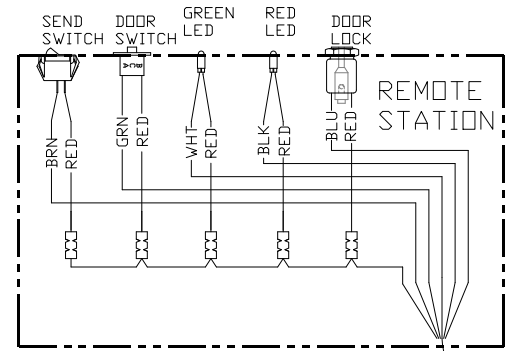


- FUNCTION OF INDICATOR LED'S ON PCB**
- A ● INDICATES REMOTE SEND SWITCH IS OPERATED
  - B ● INDICATES REMOTE DOOR IS CLOSED
  - C ● INDICATES LOCAL SEND SWITCH IS OPERATED
  - D ● INDICATES LOCAL DOOR IS CLOSED
  - E ● INDICATES GREEN LED IS LIT
  - F ● INDICATES RED LED IS LIT
  - G ● INDICATES REMOTE DOOR IS LOCKED
  - H ● INDICATES LOCAL GREEN LED IS LIT
  - I ● INDICATES LOCAL RED LED IS LIT
  - J ● INDICATES LOCAL DOOR IS LOCKED
  - K ● INDICATES VACUUM MOTOR IS RUNNING
  - L ● INDICATES PRESSURE MOTOR IS RUNNING
  - M ● INDICATES POWER IS ON
  - N ● BLINKING INDICATES PROGRAM IS OPERATIONAL
- CIRCUIT BOARD SHORTING BLOCKS**
- JP1 — NONE OR AS NEEDED
  - JP2 — NONE OR AS NEEDED
  - JP3 — NONE OR AS NEEDED
  - JP4 — NONE OR AS NEEDED
  - JP7 — NONE OR AS NEEDED
  - JP9 — NONE OR AS NEEDED
  - JP10 — BETWEEN PINS 1 & 2



INFORMATION CONTAINED HEREIN IS PROPRIETARY TO EAGLE PNEUMATIC, INC ALL RIGHTS RESERVED.

TOLERANCES:  
UNLESS OTHERWISE SPECIFIED  
FRACTIONS +/-1/32"  
DECIMALS +/-0.005"

REVISIONS:

DRAWN BY: JAC

DATE:06/29/04

NAME:  
WIRING DIAGRAM  
MARK II SYSTEM  
3&4 INCH  
WITH REMOTE BLOWER  
SEND/RECALL SWITCH  
AND OPTIONAL LCD

PART NO.

E-12078WD

CADFILE: A20

TO SECURE GROUND LUG TO FRAME USE EXTERNAL STAR WASHER BETWEEN LUG AND FRAME AND SECURE WITH #8 SHEET METAL SCREW. USE UL LISTED GROUND LUG (X3).

NOTE:  
PLUGS ARE NOT SUITABLE AS A DISCONNECTS. USER MUST SUPPLY A SUITABLE DISCONNECTS.

VOLTAGE-120VAC  
14 AMPS  
1 HP SINGLE PHASE/50/60 Hz.  
20 AMP BRANCH CIRCUIT PROTECTION TO BE PROVIDED BY OTHERS DURING FIELD INSTALLATION.