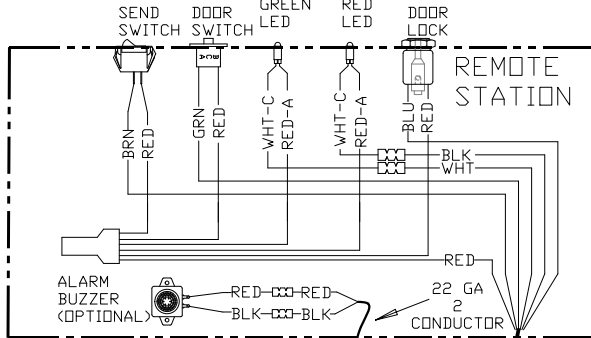
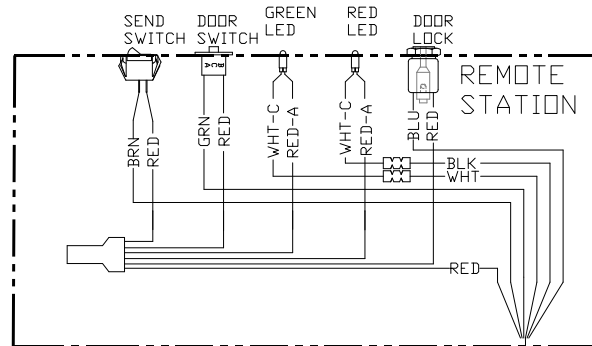


NOTE: SHORTING BLOCK JP10 MUST BE IN PLACE AS SHOWN TO ENSURE PROPER OPERATION. (NOT PRESENT ON "ULM" (REV I) BOARDS.

OPTION JUMPERS REV I PCB ONLY



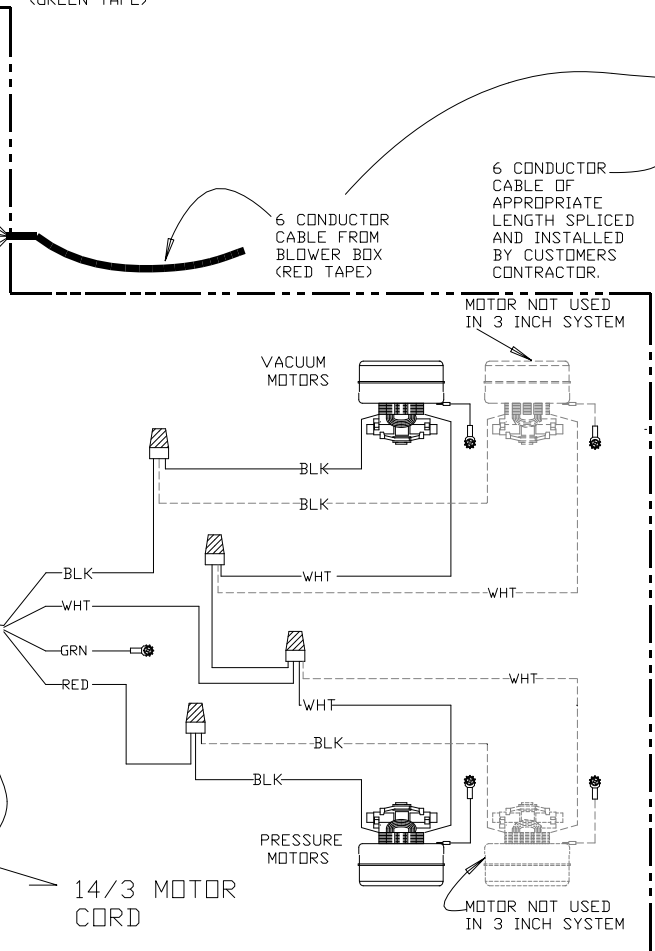
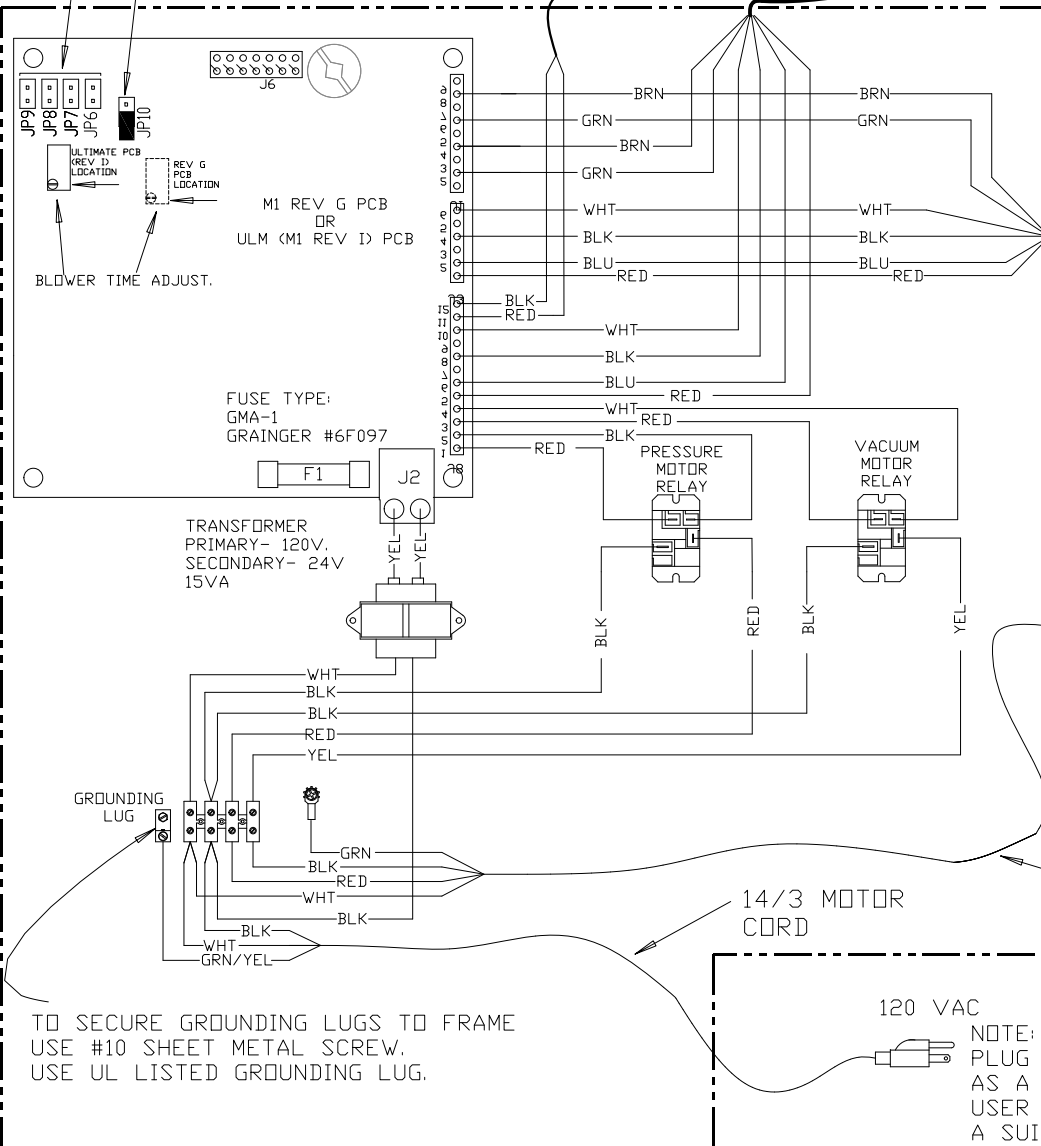
6 CONDUCTOR CABLE FROM LOCAL STATION (GREEN TAPE)



6 CONDUCTOR CABLE FROM BLOWER BOX (GREEN TAPE)

6 CONDUCTOR CABLE FROM REMOTE STATION (RED TAPE)

6 CONDUCTOR CABLE OF APPROPRIATE LENGTH SPliced AND INSTALLED BY CUSTOMERS CONTRACTOR.



120 VAC

NOTE: PLUG IS NOT SUITABLE AS A DISCONNECT. USER MUST SUPPLY A SUITABLE DISCONNECT.

VOLTAGE-120VAC
14 AMPS
1 HP SINGLE PHASE/50/60 Hz.

20 AMP BRANCH CIRCUIT PROTECTION TO BE PROVIDED BY OTHERS DURING FIELD INSTALLATION.



INFORMATION CONTAINED HEREIN IS PROPRIETARY TO EAGLE PNEUMATIC, INC ALL RIGHTS RESERVED.

TOLERANCES: UNLESS OTHERWISE SPECIFIED FRACTIONS +/-1/32" DECIMALS +/-0.005"

REVISIONS: 6.-07/24/03
1.-10/30/02 7.-02/09/05
2.-10/31/02 8.-10/26/06
3.-04/10/03 9.-04/17/07
4.-06/04/03 10.-11/06/13
5.-07/03/03

DRAWN BY: JAC

DATE:10/30/02

NAME: WIRING DIAGRAM
MINI MARK II
3 OR 4 INCH

PART NO.

E-11881

CADFILE: A20

TO SECURE GROUNDING LUGS TO FRAME USE #10 SHEET METAL SCREW. USE UL LISTED GROUNDING LUG.